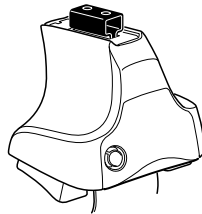
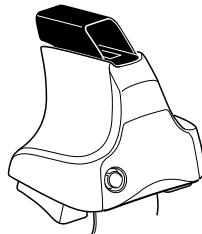
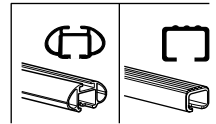


# Kit 1448

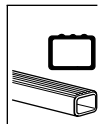
**SSANGYONG Actyon**, 4-dr Double Cab, 06–  
**SSANGYONG Actyon**, 5-dr SUV, 06–



**754** Rapid System  
**480R** Rapid Traverse (North America)



**480** Traverse (North America)



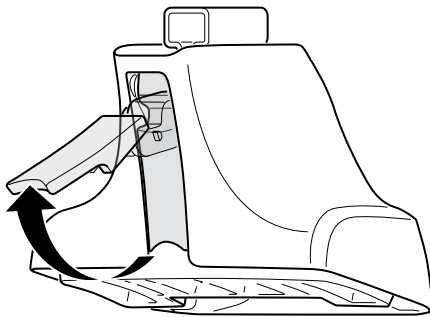
**754 Rapid System**  
**480R Rapid Traverse (North America)**

---

**754 Rapid System**  
**480R Rapid Traverse (North America)**  
**480 Traverse (North America)**

**(North America)**

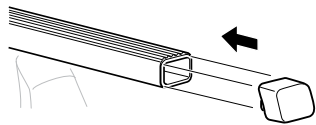
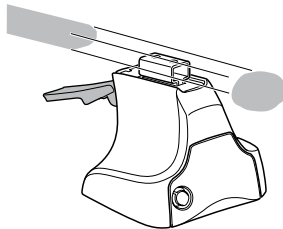
1



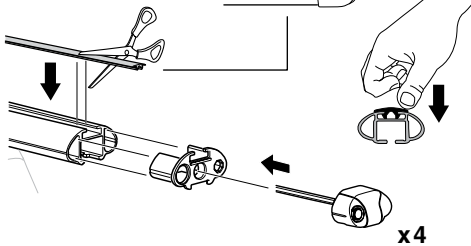
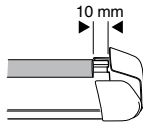
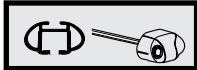
2



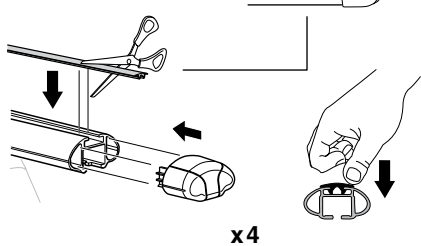
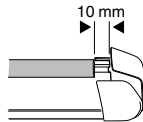
754 Rapid System  
480R Rapid Traverse  
(North America)



x4



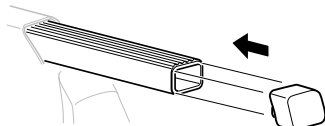
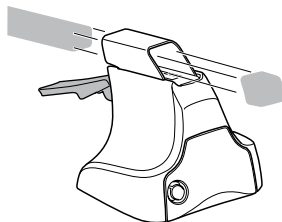
x4



x4



480 Traverse  
(North America)

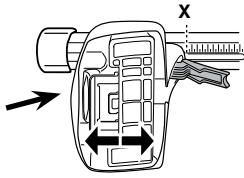


x4

**3**

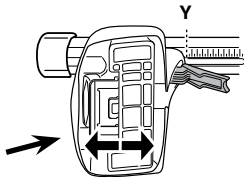


**754** Rapid System



**X**

	<b>X</b>
<b>SSANGYONG Actyon, 4-dr Double Cab, 06-</b>	<b>48</b>
<b>SSANGYONG Actyon, 5-dr SUV, 06-</b>	<b>48</b>



**Y**

	<b>Y</b>
<b>SSANGYONG Actyon, 4-dr Double Cab, 06-</b>	<b>44,5</b>
<b>SSANGYONG Actyon, 5-dr SUV, 06-</b>	<b>44,5</b>

**3**



**480R** Rapid Traverse

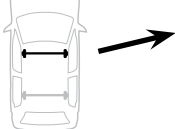


**480** Traverse

**(North America)**



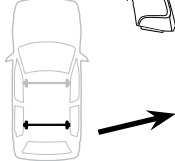
**X** inch/mm



	<b>X</b> inch	<b>X</b> mm
<b>SSANGYONG Actyon, 4-dr Double Cab, 06-</b>	<b>44 1/2"</b>	<b>1131 mm</b>
<b>SSANGYONG Actyon, 5-dr SUV, 06-</b>	<b>44 1/2"</b>	<b>1131 mm</b>

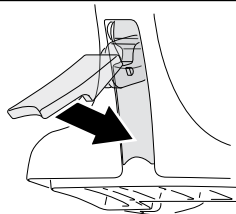


**Y** inch/mm



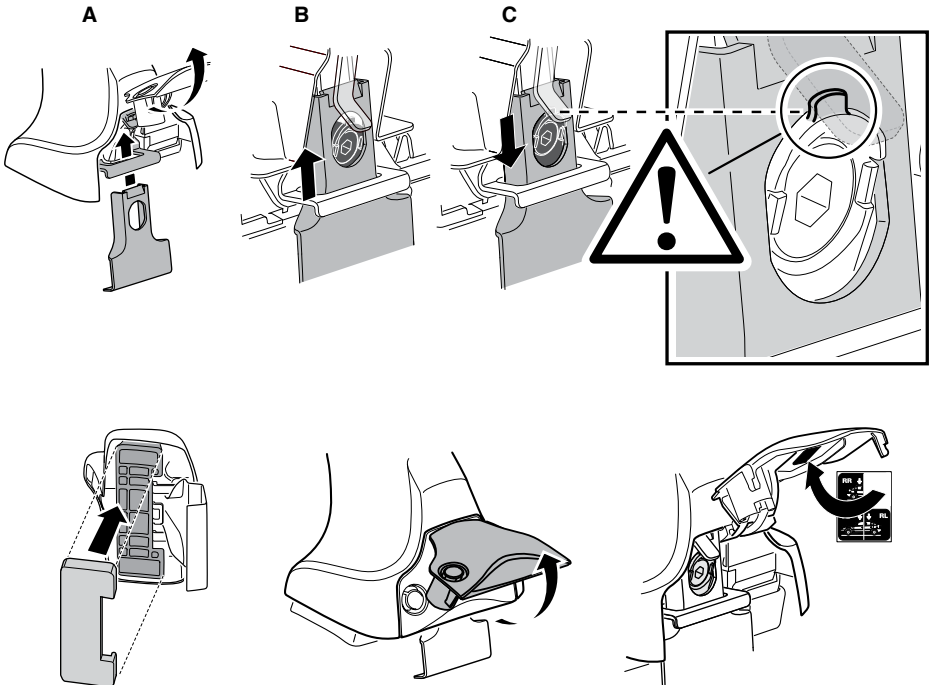
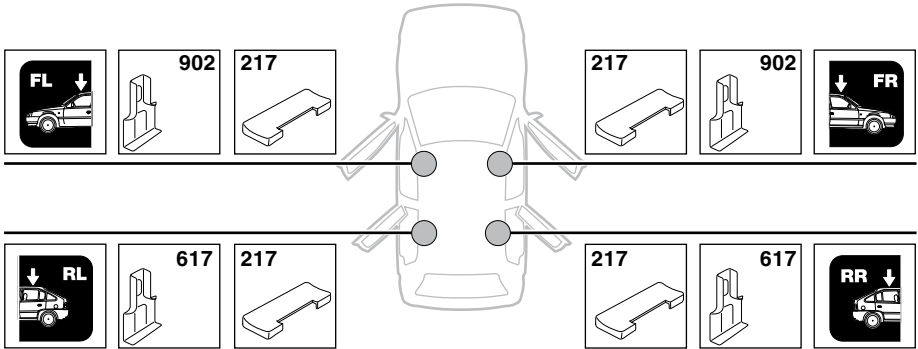
	<b>Y</b> inch	<b>Y</b> mm
<b>SSANGYONG Actyon, 4-dr Double Cab, 06-</b>	<b>43 1/8"</b>	<b>1096 mm</b>
<b>SSANGYONG Actyon, 5-dr SUV, 06-</b>	<b>43 1/8"</b>	<b>1096 mm</b>

**4**

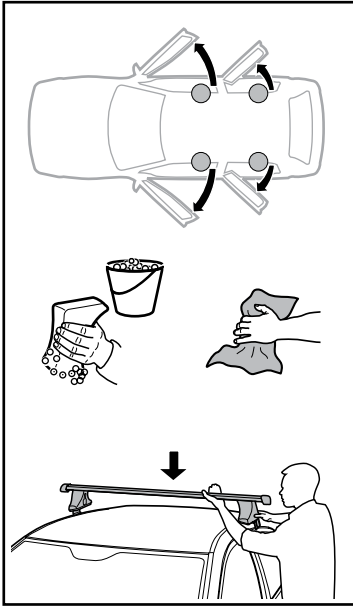


# 5

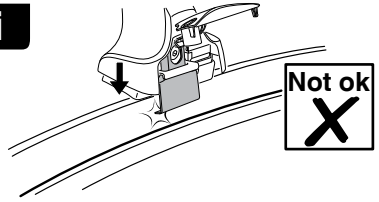
SSANGYONG Actyon, 4-dr Double Cab, 06–  
SSANGYONG Actyon, 5-dr SUV, 06–



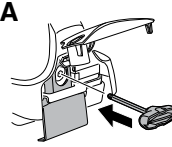
6



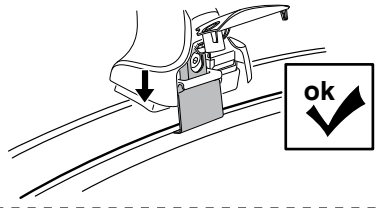
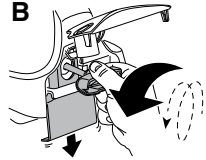
i



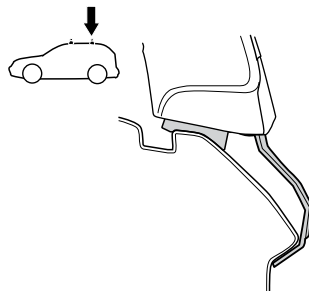
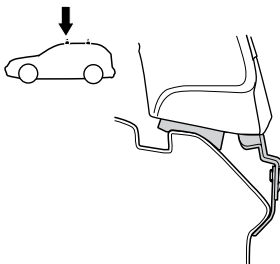
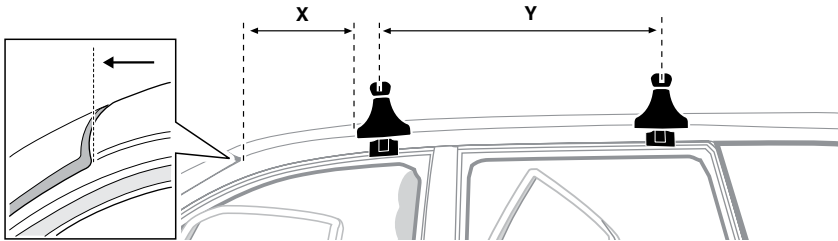
A



B



	X mm	Y mm	X inch	Y inch
<b>SSANGYONG Actyon, 4-dr Double Cab, 06-</b>	270 mm	700 mm	10 <sup>5</sup> / <sub>8</sub> "	27 <sup>1</sup> / <sub>2</sub> "
<b>SSANGYONG Actyon, 5-dr SUV, 06-</b>	270 mm	700 mm	10 <sup>5</sup> / <sub>8</sub> "	27 <sup>1</sup> / <sub>2</sub> "



7



<b>GB/US</b>	Tighten alternately
<b>D</b>	Die Schrauben abwechselnd anziehen
<b>F</b>	Serrer alternativement chaque côté
<b>NL</b>	Afwisselend aan de linker- en de rechterkant aandraaien
<b>I</b>	Alternare il serraggio delle viti
<b>E</b>	Apertar alternativamente
<b>PT</b>	Aperte alternadamente
<b>S</b>	Dra åt växelvis
<b>FIN</b>	Kierrä vuorotellen
<b>EST</b>	Pinguldage vaheldumisi
<b>LAT</b>	Pielveiciet pamišus
<b>LIT</b>	Užsukinėkite pakaitomis
<b>PL</b>	Śruby dokręcaj naprzemiennie
<b>RU</b>	Загряивайте попеременно

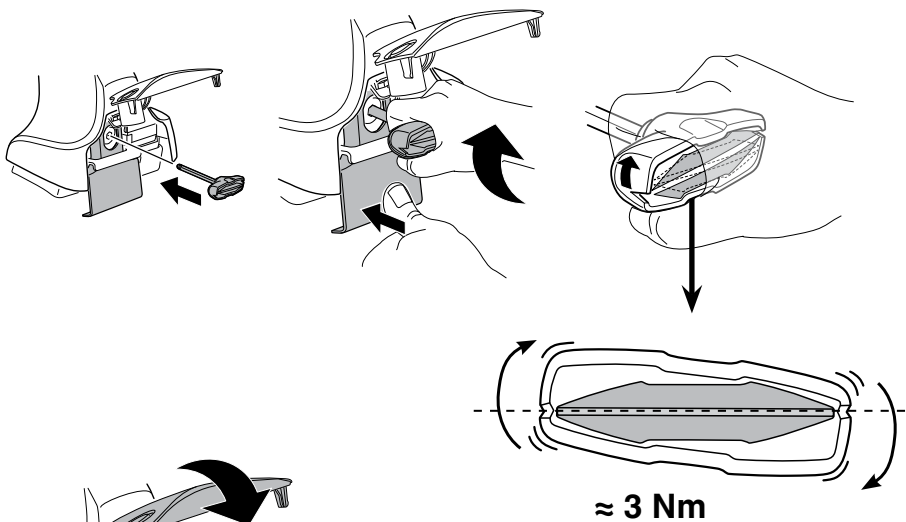
<b>CZ</b>	Pokręřta багаžnika dokręřcaj dokręřcaj naprzemiennie.
<b>SK</b>	Dofahajte striedavo
<b>SLO</b>	Privijajte izmenično.
<b>HR</b>	Naizmjenočno zategnite
<b>HU</b>	Egymástól függetlenül szorítandó
<b>GR</b>	Σφιγίγες ενολάξ
<b>TR</b>	Dönüşümlü sıkın

**中文** 交替拧紧

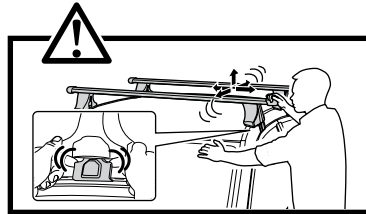
**한국어** 번갈아 가며 조이십시오.

**日本語** 交互に締め付けてください。

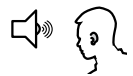
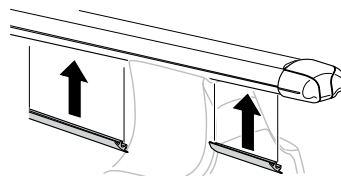
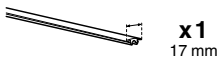
**ไทย** ชันในแบบสลับ

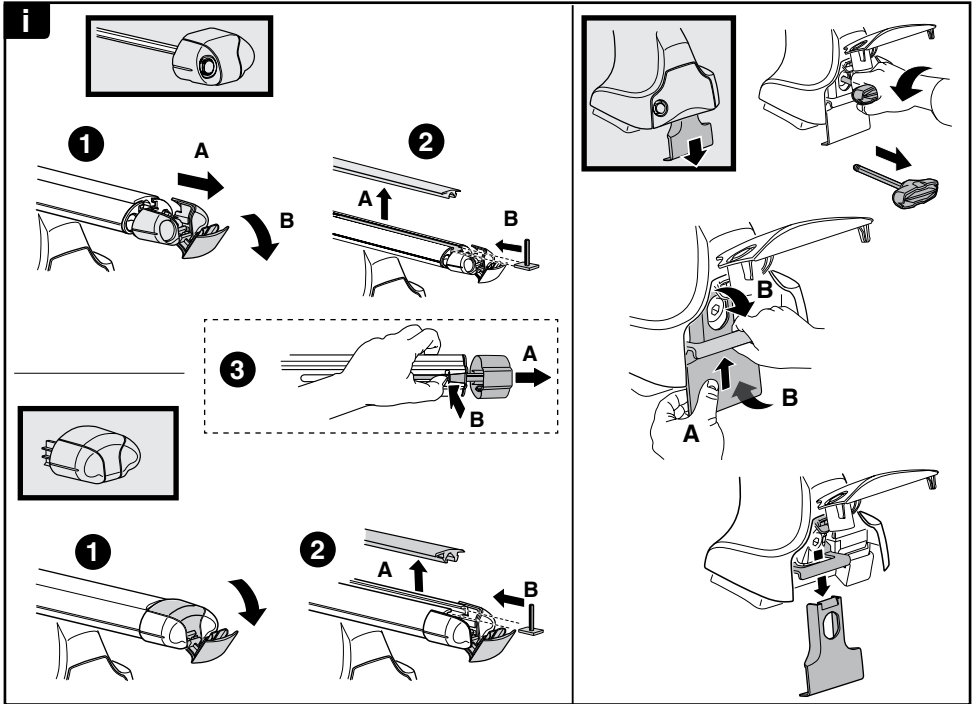


≈ 3 Nm

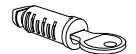
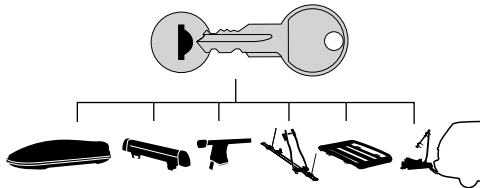


8





**THULE**  
SWEDEN  
**ONE  
KEY  
SYSTEM**



**544** (x4)

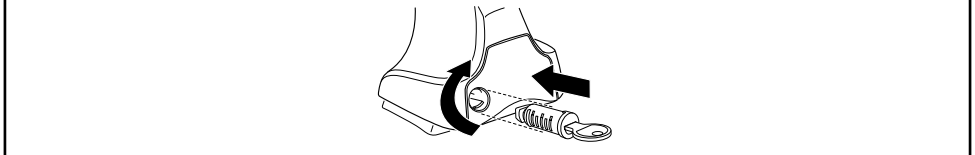
**596** (x6)

**588** (x8)

NA **510** (x10)

EUR **452** (x12)

ASIA



WW ▶ Thule Sweden AB, Box 69, 330 33 Hillerstorp, SWEDEN

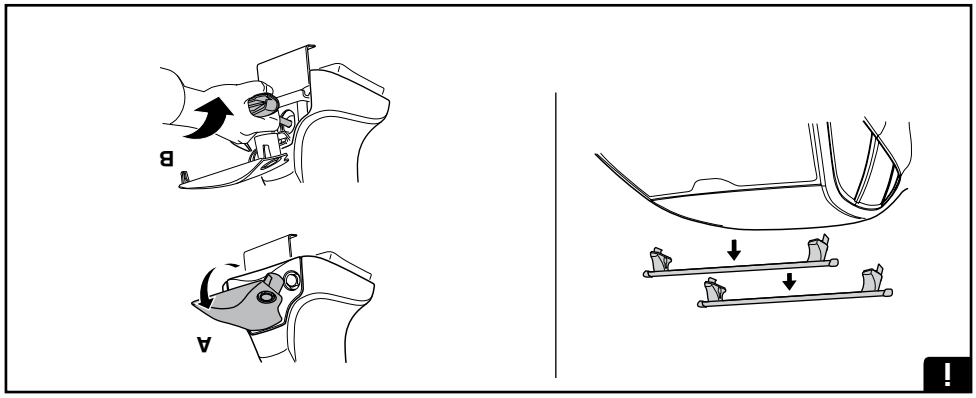
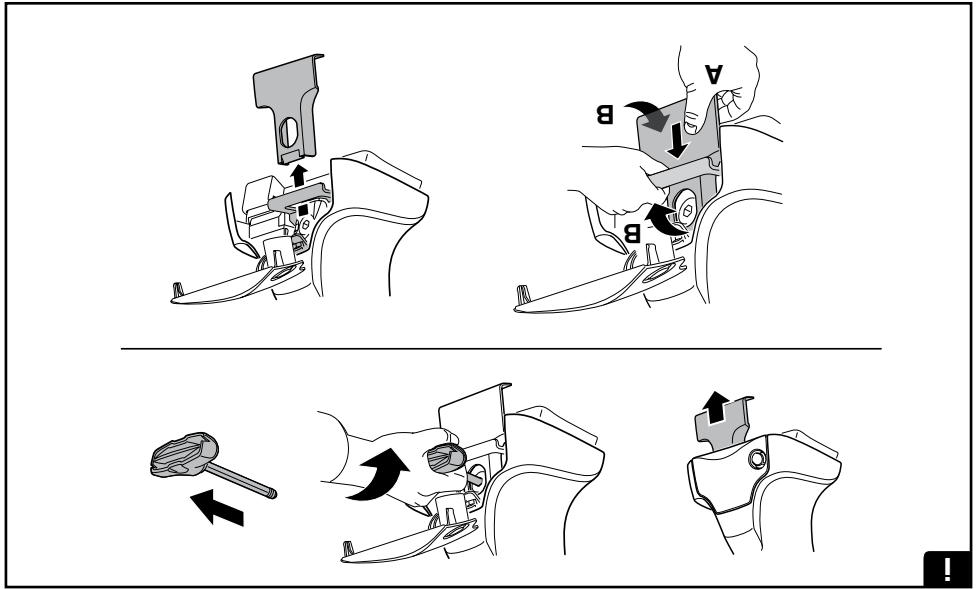
NA ▶ Thule Inc., 42 Silvermine Road, Seymour, Connecticut 06483, USA

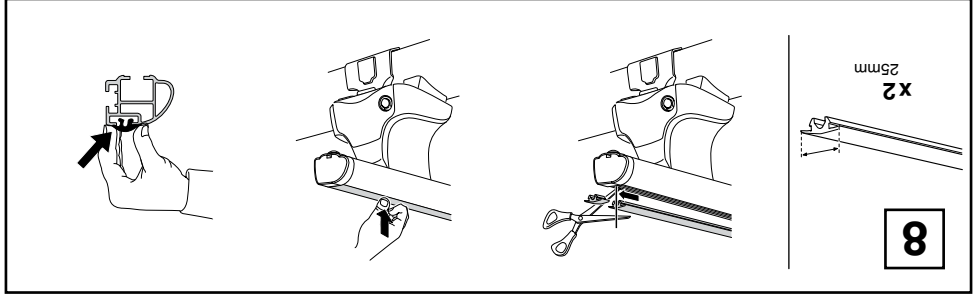
info@thule.com

customer.service@thule.com

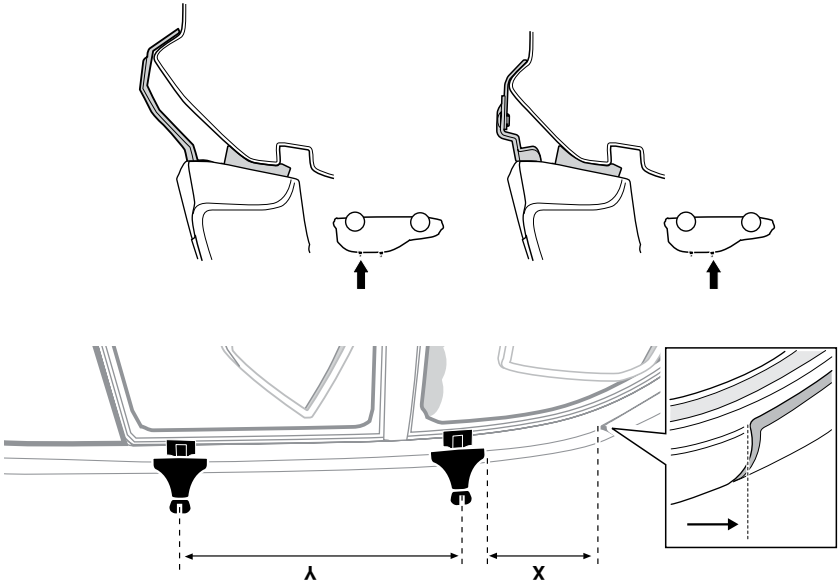
www.thule.com



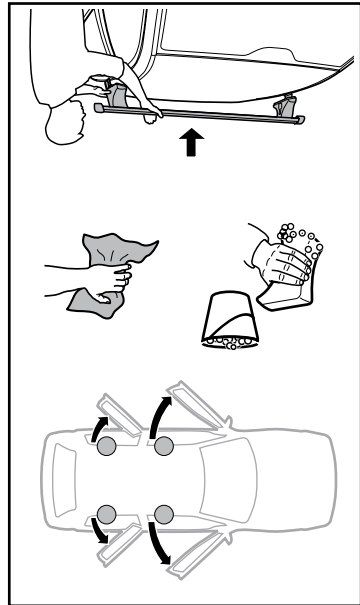




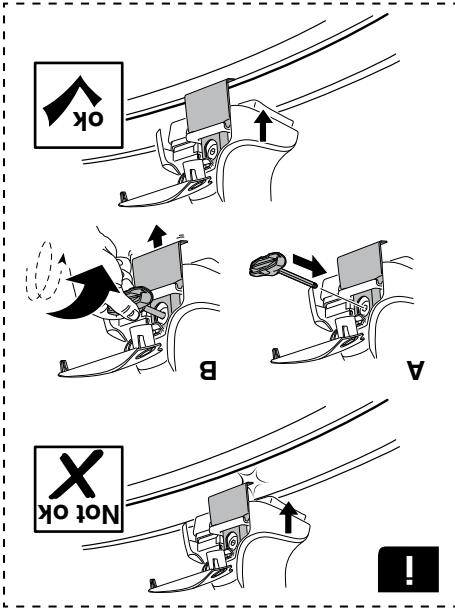
**GB/US** Tighten alternately  
**D** Die Schrauben abwechselnd  
**F** Serrer alternativement chaque côté  
**NL** Afwisselend aan de linker- en de  
**I** rechterkant aandraaien  
**PT** Alternare il serraggio delle viti  
**E** Aperte alternativamente  
**EST** Kierrä väärtelän  
**FIN** Dra åt växelvis  
**S** Dra åt växelvis  
**PL** Uźskoknięte pakalotomis  
**RU** Затягивайте попеременно  
**CZ** Pokrétla bagazníka dokrécaj  
**SK** Dokrúťte striedavo  
**SLO** Privijajte izmenično.  
**HR** Naizmjenično zategnite  
**HU** Egymástól fűggetlenül  
**GR** Zφήγστε εναλλάξ  
**TR** Dönüşümlü sıkın  
**中文** 交替拧紧  
**한국어** 번갈아 가며 조이십시오.  
**日本語** 交互に締め付けてください。  
**ไทย** หมุนสลับกัน

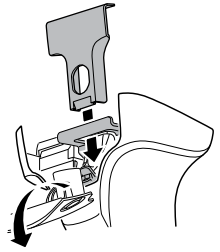
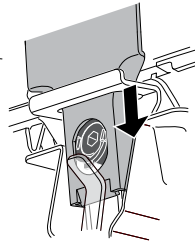
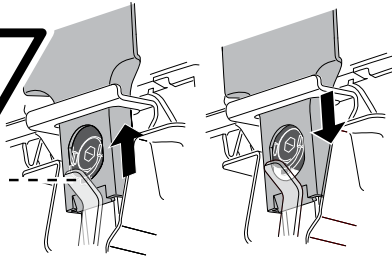
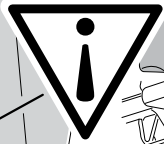
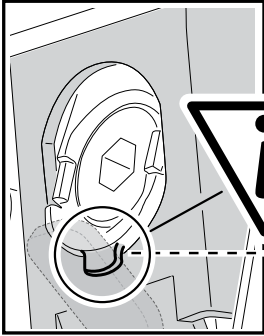
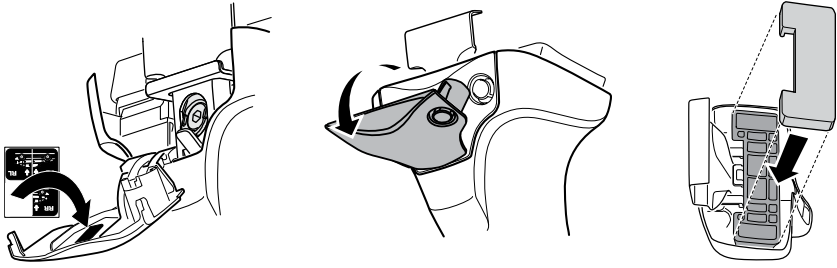


SSANGYONG Actyon, 5-dr SUV, 06-	270 mm	700 mm	10 5/8"	27 1/2"
SSANGYONG Actyon, 4-dr Double Cab, 06-	270 mm	700 mm	10 5/8"	27 1/2"
	X mm	Y mm	X inch	Y inch



9

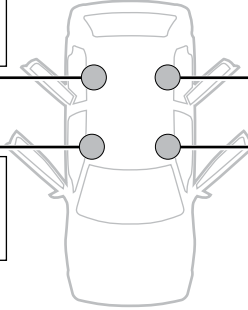
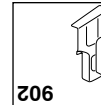
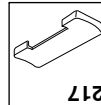
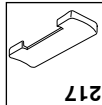
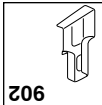
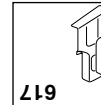
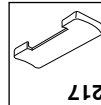
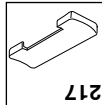
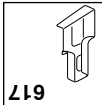




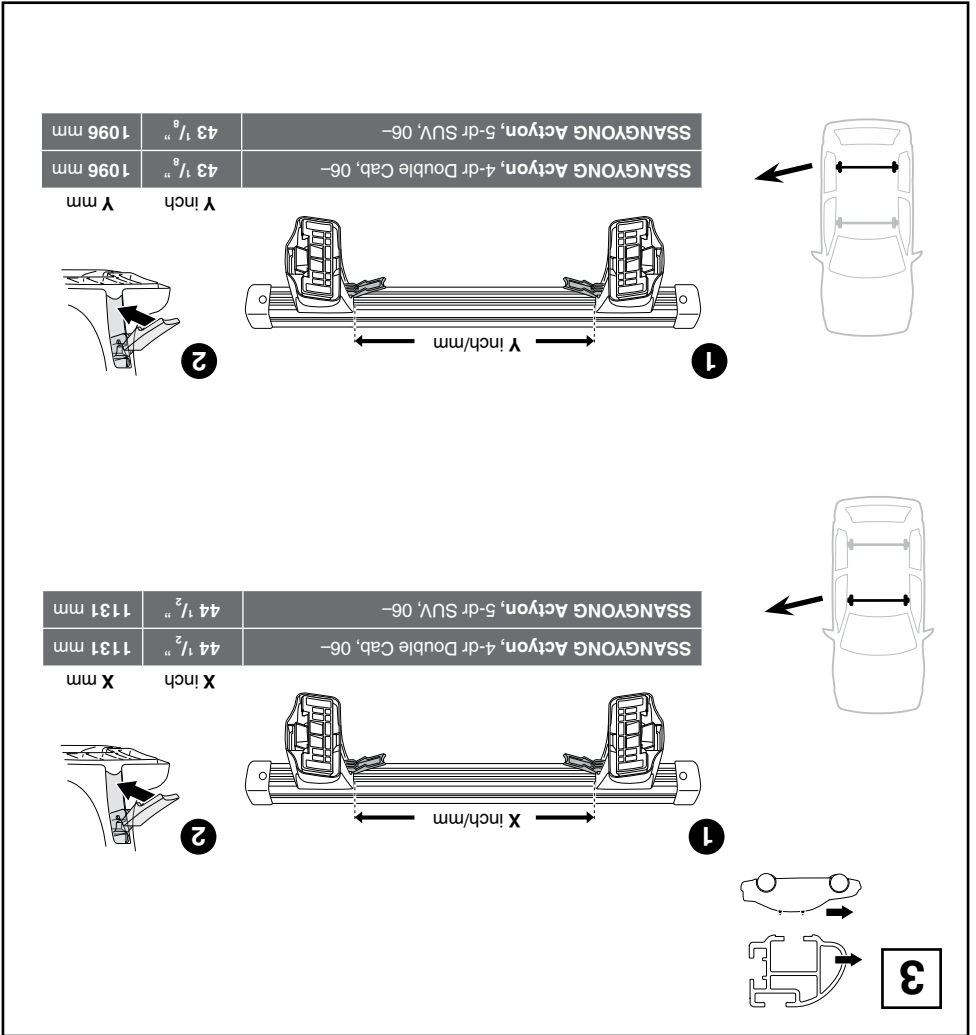
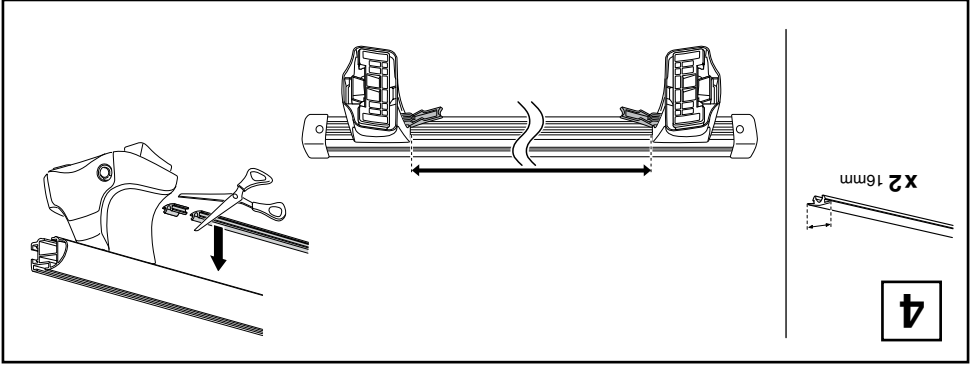
C

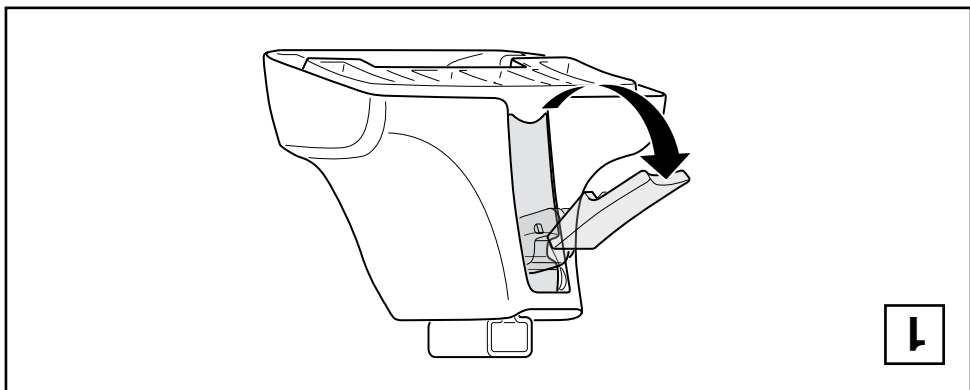
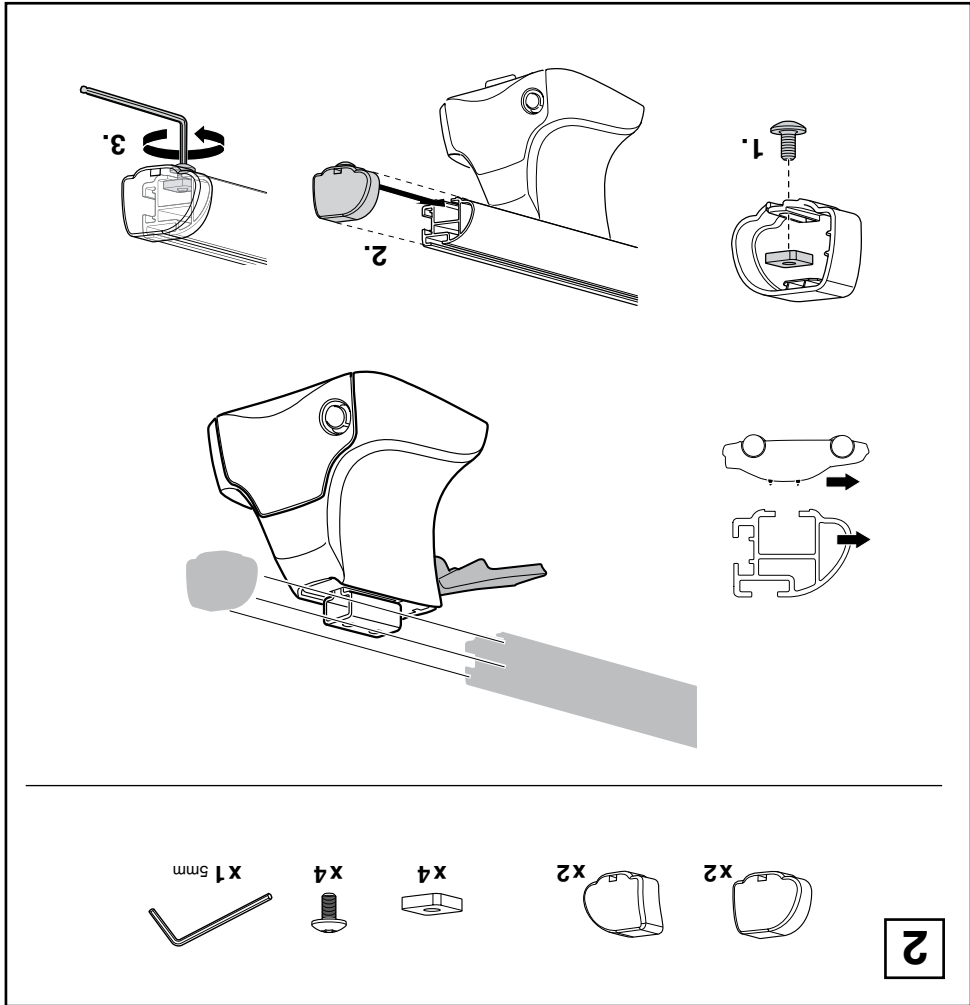
B

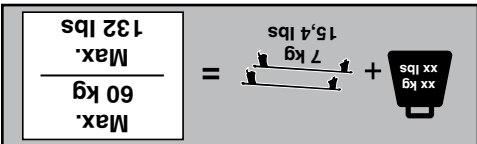
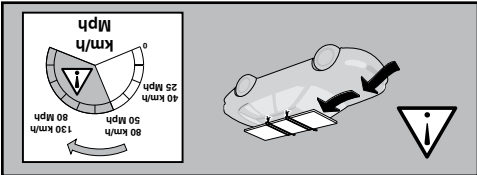
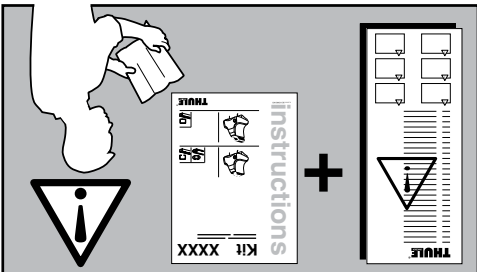
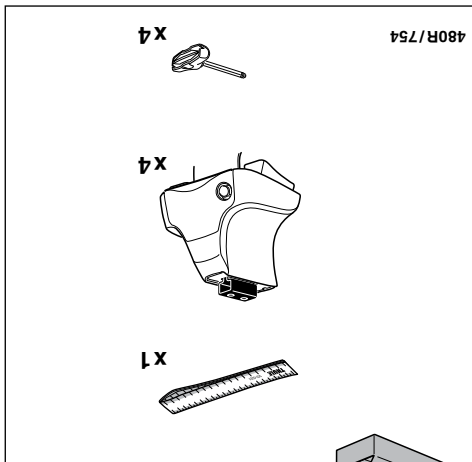
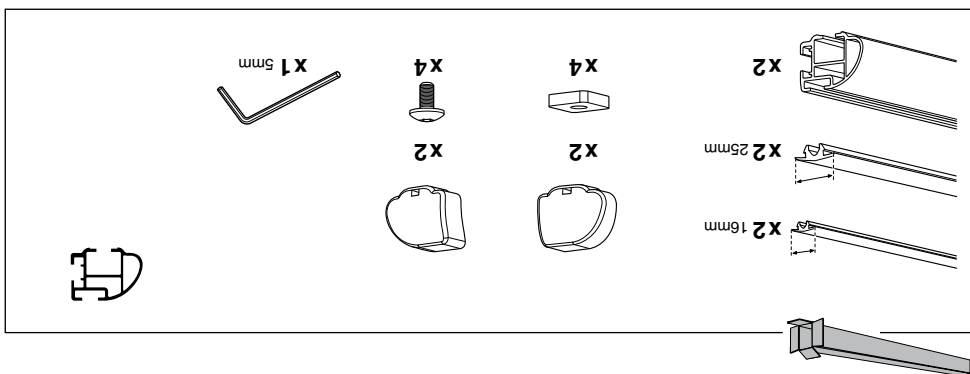
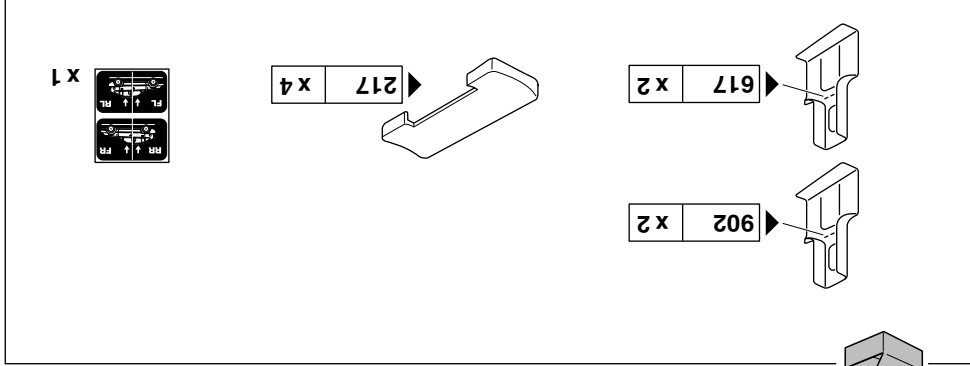
A



SSANGYONG Actyon, 4-dr Double Cab, 06-  
 SSANGYONG Actyon, 5-dr SUV, 06-



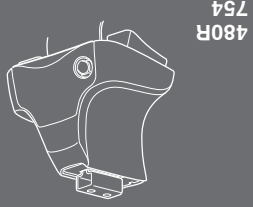




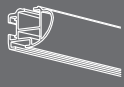
# instructions

# Kit 1448

SSANGYONG Actyon, 4-dr Double Cab, 06-  
SSANGYONG Actyon, 5-dr SUV, 06-



480R  
754



PROFESSIONAL

ISO 11154-E

