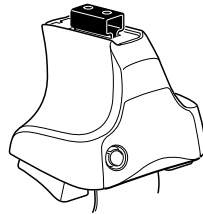
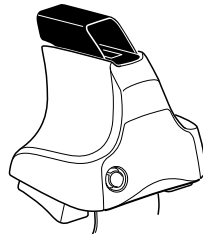


Kit 1619

NISSAN Juke, 5-dr SUV, 10-

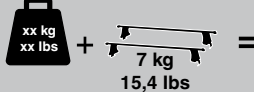


754 Rapid System
480R Rapid Traverse (North America)




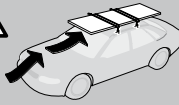
480 Traverse (North America)




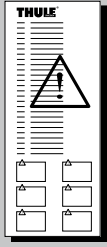



Max.
50 kg
Max.
110 lbs







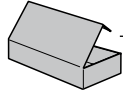





Kit XXXX
 instructions


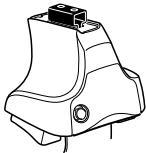









x1

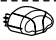


x4




x4

754 Rapid System




x4

480R Rapid Traverse (North America)

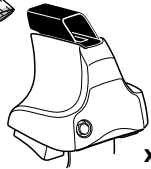


x4


754 Rapid System
480R Rapid Traverse (North America)




x1



x4

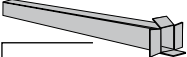



x4




x4

480 Traverse (North America)






x2

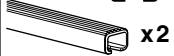


x2




x1


17 mm




x2




x2



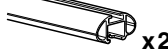
x2




x2




x4



x2




x4



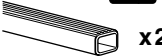
x4

(North America)

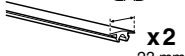


x2

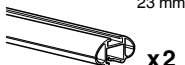
23 mm



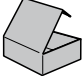
x2




x2

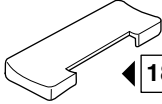


x2






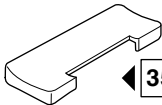
1126 x2



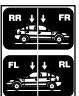
180 x2



1127 x2

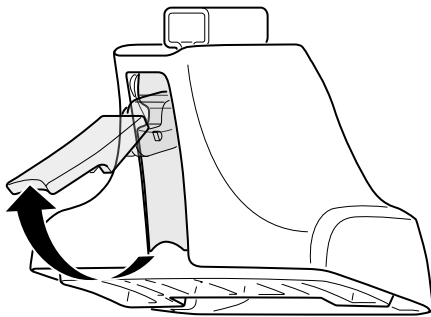


350 x2



x1

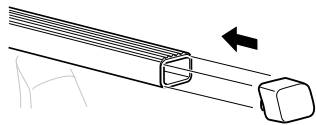
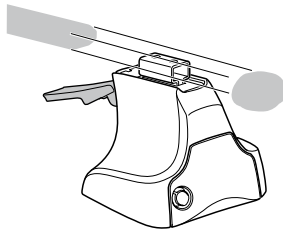
1



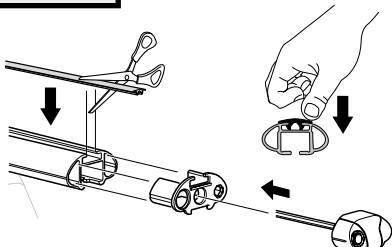
2



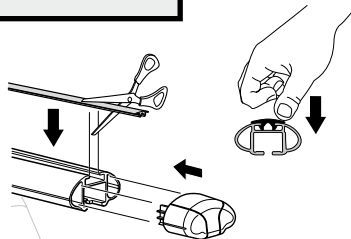
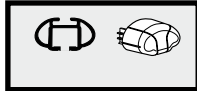
754 Rapid System
480R Rapid Traverse
(North America)



x4



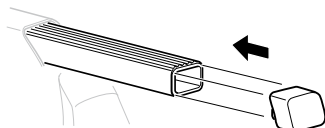
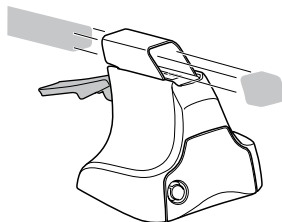
x4



x4

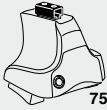


480 Traverse
(North America)

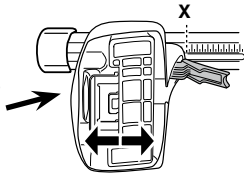


x4

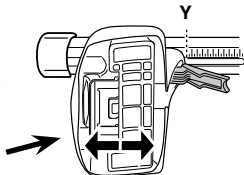
3



754 Rapid System



	X
NISSAN Juke, 5-dr SUV, 10-	33



	Y
NISSAN Juke, 5-dr SUV, 10-	31

3

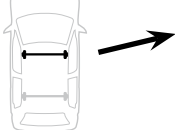


480R Rapid Traverse

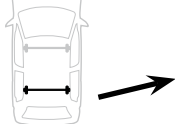


480 Traverse

(North America)

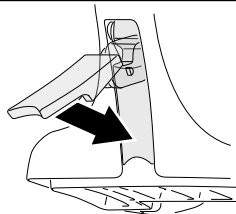


	X inch	X mm
NISSAN Juke, 5-dr SUV, 10-	38 ⁵/₈"	980 mm



	Y inch	Y mm
NISSAN Juke, 5-dr SUV, 10-	37 ⁷/₈"	960 mm

4



5

NISSAN Juke, 5-dr SUV, 10-

180



1126



180



1126



350



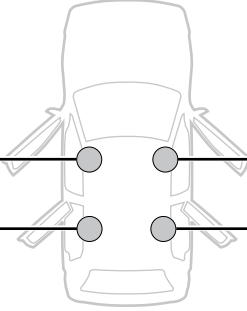
1127



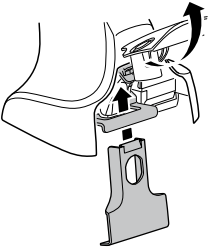
350



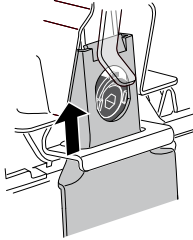
1127



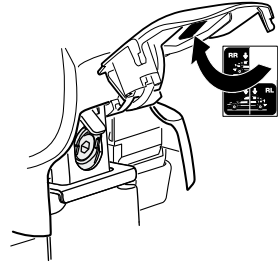
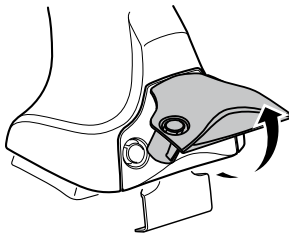
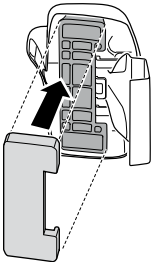
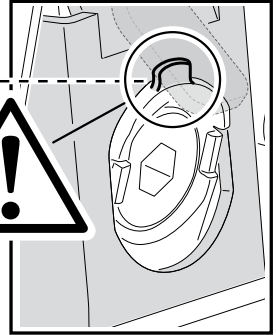
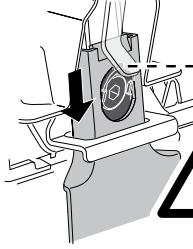
A



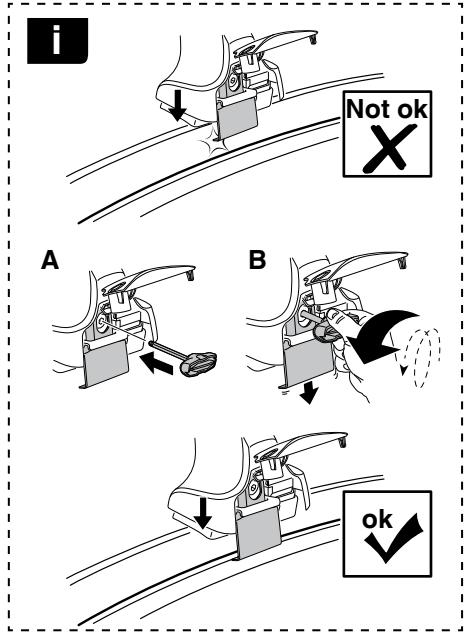
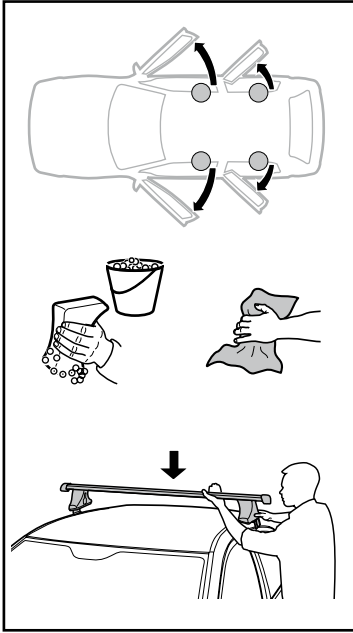
B



C

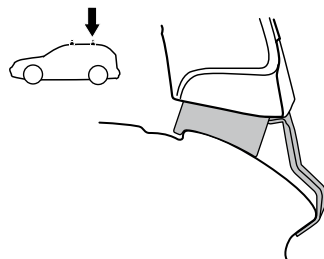
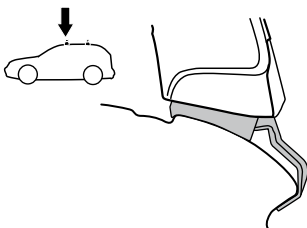
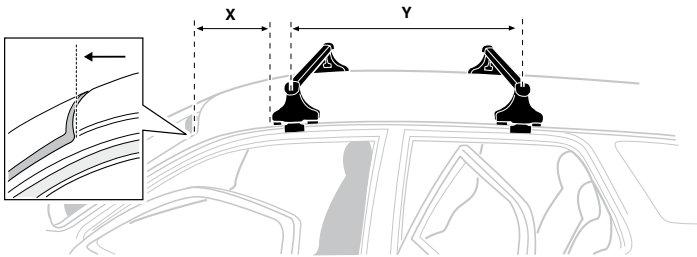


6

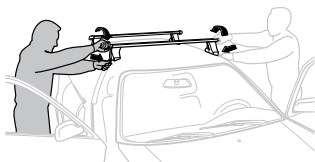


NISSAN Juke, 5-dr SUV, 10-

X mm	Y mm	X inch	Y inch
330 mm	650 mm	13"	25 5/8"



7



GB/US	Tighten alternately
D	Die Schrauben abwechselnd anziehen
F	Serrer alternativement chaque côté
NL	Afwisselend aan de linker- en de rechterkant aandraaien
I	Alternare il serraggio delle viti
E	Apretar alternativamente
PT	Aperte alternadamente
S	Dra åt växelvis
FIN	Kierrä vuorotellen
EST	Pinguldage vaheldumisi
LAT	Pielveiciet pamišus
LIT	Užsukinėkite pakaitomis
PL	Śruby dokręcaj naprzemiennie
RU	Загряивайте попеременно

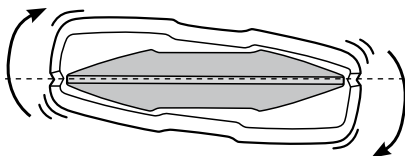
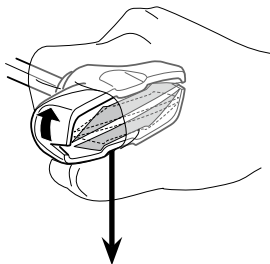
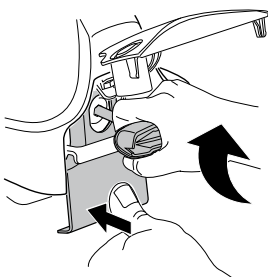
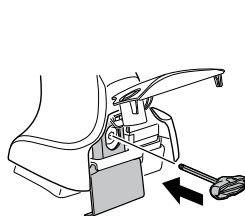
CZ	Pokręřta багаžnika dokręcaj naprzemiennie.
SK	Dofahajte striedavo
SLO	Privijajte izmenično.
HR	Naizmjenično zategnite
HU	Egymástól függetlenül szorítandó
GR	Σφιγγετε εναλλάξ
TR	Dönüşümlü sıkın

中文 交替拧紧

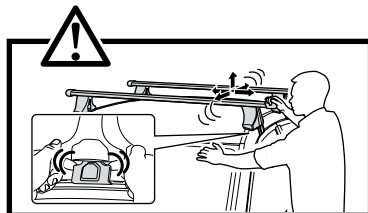
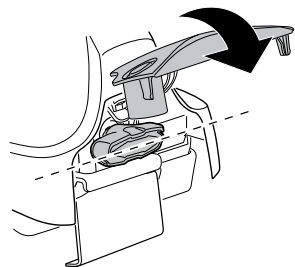
한국어 번갈아 가며 조이십시오.

日本語 交互に締め付けてください。

ไทย ชันในแบบสลับ



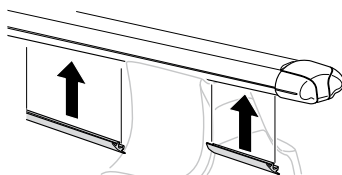
≈ 3 Nm

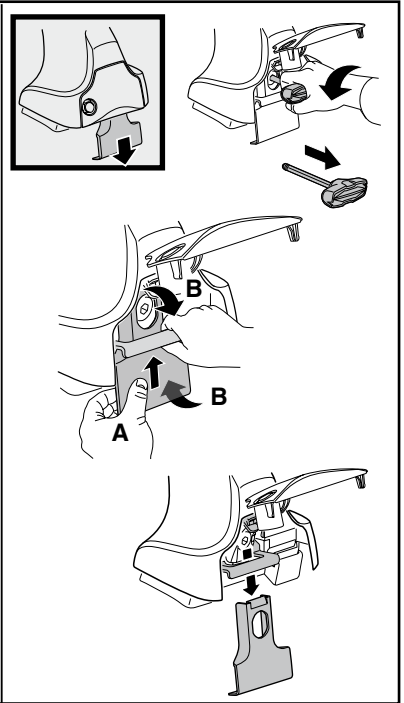
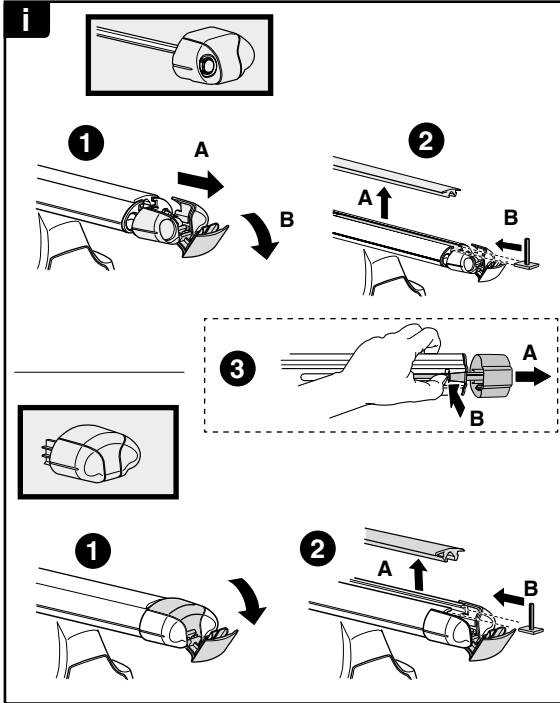


8

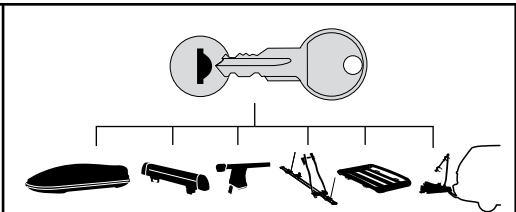


x1
17 mm

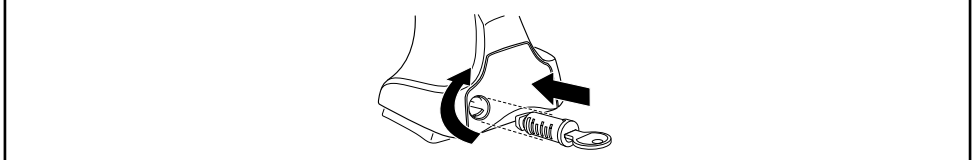




THULE
SWEDEN
**ONE
KEY
SYSTEM**



		(x4)
		(x6)
		(x8)
NA		(x10)
EUR		(x12)
ASIA		



WW ▶ Thule Sweden AB, Box 69, 330 33 Hillerstorp, SWEDEN
NA ▶ Thule Inc., 42 Silvermine Road, Seymour, Connecticut 06483, USA

info@thule.com
customer.service@thule.com

www.thule.com