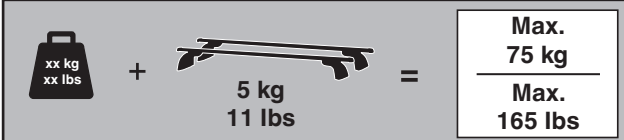


Rapid System Kit 4003

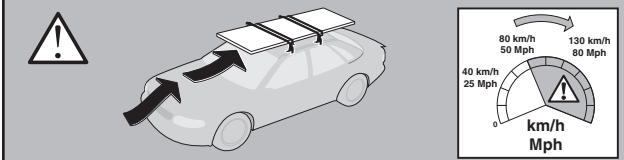
BMW X5, 5-dr SUV, 07–

BMW 3-Series Touring, 5-dr Estate, 10–

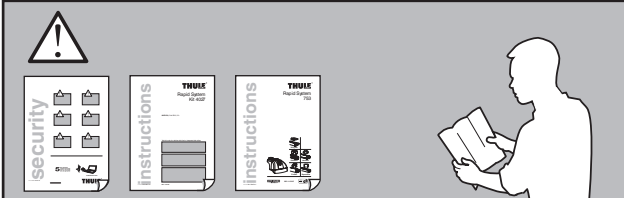
This kit is only for vehicles with flush or integrated side railing.



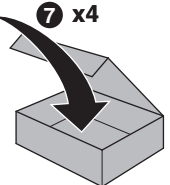
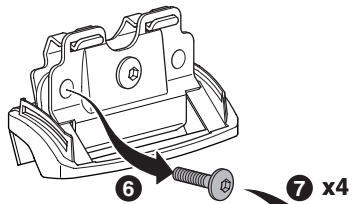
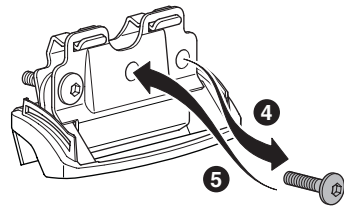
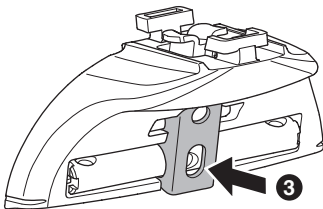
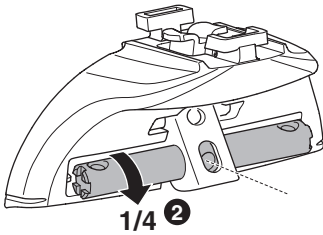
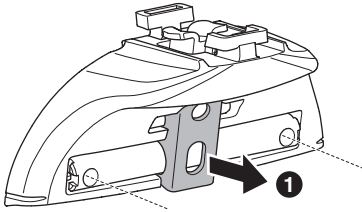
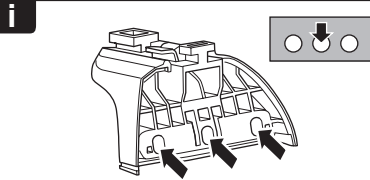
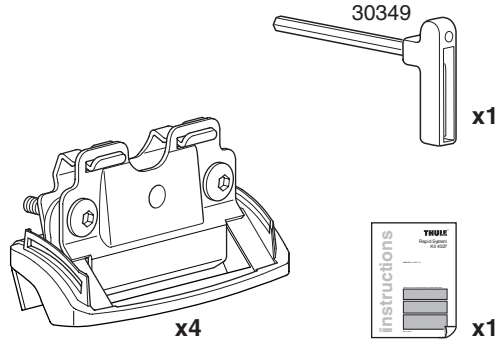
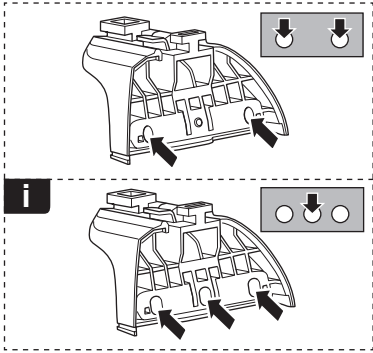
A diagram showing a weight limit calculation. On the left, a weight icon is labeled "xx kg" and "xx lbs". This is followed by a plus sign, a roof rack icon labeled "5 kg" and "11 lbs", and an equals sign. To the right, a box contains the text "Max. 75 kg" and "Max. 165 lbs".



A diagram showing a car with a roof rack. A warning triangle icon is on the left. Arrows point to the front and rear of the roof rack. On the right, a speedometer diagram shows a warning triangle in the red zone between 80 km/h (50 Mph) and 130 km/h (80 Mph). The speedometer also has markings for 40 km/h (25 Mph) and 0.



A diagram showing a warning triangle icon on the left. Below it are three document icons: "security" with a checklist, "instructions" with a THULE logo, and another "instructions" with a THULE logo. On the right, a silhouette of a person is shown reading a document.



1

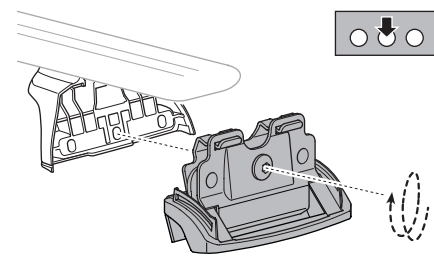
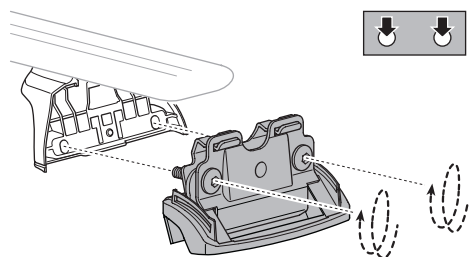
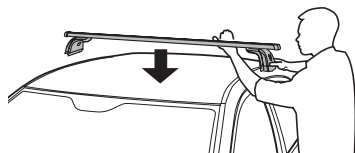
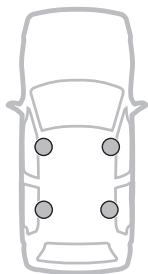
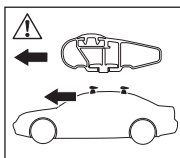
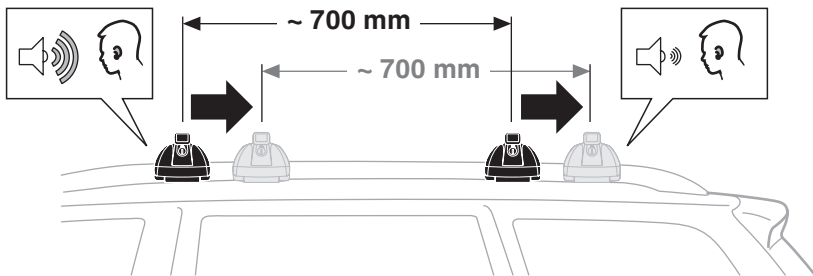
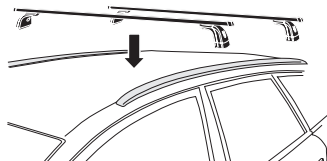
EN Only a few turns
 DE Nur wenige Umdrehungen
 FR Quelques tours uniquement
 NL Slechts enkele slagen
 IT Solo qualche giro
 ES Sólo algunas vueltas
 PT Noções básicas
 SV Endast några varv
 DK Kun nogle få omgange
 NE Bare noen få omdreininger
 FI Vain muutama kierros

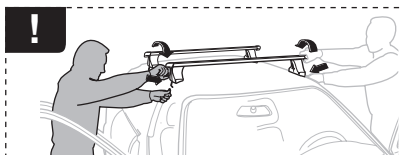
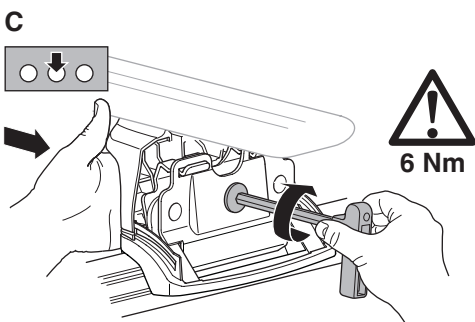
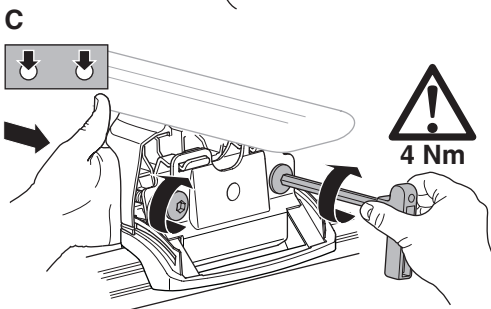
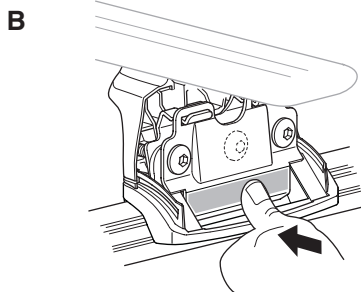
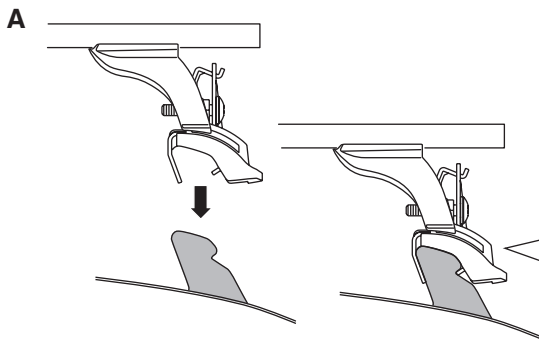
ET Ainult mõni pööre
 LV Tikai dažī apgriezieni
 LT Tik keli pasukimai
 PL Wystarczy kilka obrotów
 RU Только несколько оборотов
 UK Лише декілька обертів
 BG Само няколко завъртания
 CS Pouze několik otáček
 SK Len niekoľko otáčok
 SL Le nekaj obratov
 HR/BIH Samo nekoliko okreta

RO Doar câteva rotiri
 HU Csak néhány fordítás
 EL Μόνο λίγες περιστροφές
 TR Yalnızca birkaç tur
 ZH 仅几圈
 JA 2～3回転のみ
 SK 몇 번만 돌리면 됨
 TH เพียงสองสามรอบ

بعض دورات فقط
 רק מספר סיבובים

AR
 HE

**i****2**



- EN** Tighten alternately
DE Die Schrauben abwechselnd anziehen
FR Serrer alternativement chaque côté
NL Afwisselend aan de linker- en de rechterkant aandraaien
IT Alternare il serraggio delle viti
ES Apretar alternativamente
PT Aperte alternadamente
SV Dra åt växelvis
DK Spænd skiftevis
NE Trekk til vekselvis
FI Kierrä vuorotellen
ET Pinguldage vaheldumisi
LV Pievelciēt pamišus
LT Užsukinėkite pakaitomis
PL Śruby dokręcaj naprzemiennie
RU Затягивайте попеременно
UK Затягти по чергово
BG Затегнете последователно
CS Pokręťta bagażníka dokręcaj dokręcaj naprzemiennie.
SK Dofahujte striedavo
SL Privijajte izmenično.
HR/BIH Naizmjenično zategnite
RO Strângeți alternativ
HU Egymástól fűggetlenül szorítandó
EL Σφιγγετε εναλλάξ
TR Dönüşümlü sıkın

إحكام الربيط بالثواب **AR**
 חזק לסירוגין **HE**

- ZH** 交替拧紧
JA 自動固定
KO 번갈아 조이기
TH สลับหมุนสลับ

