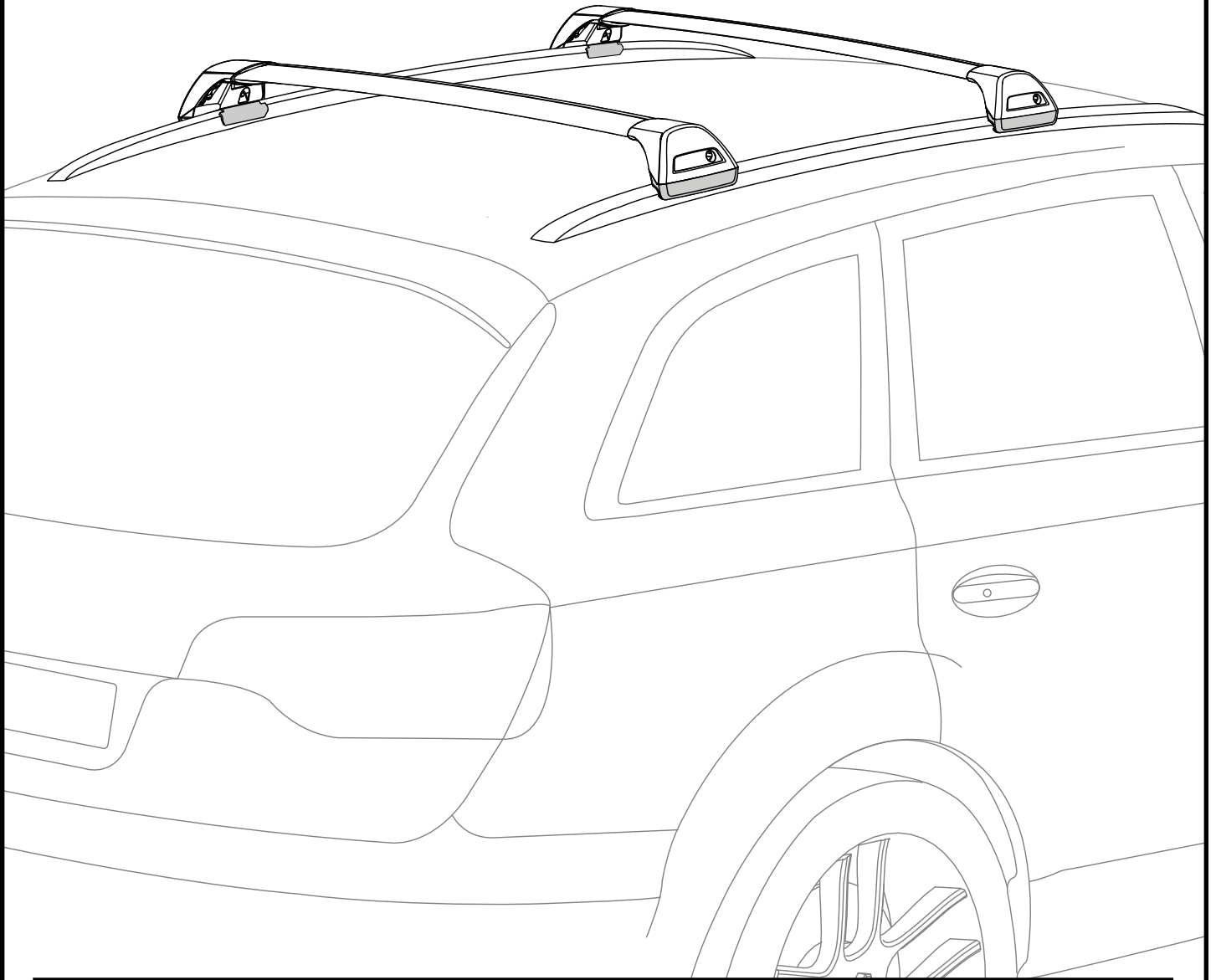


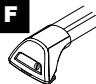
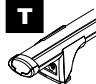
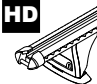



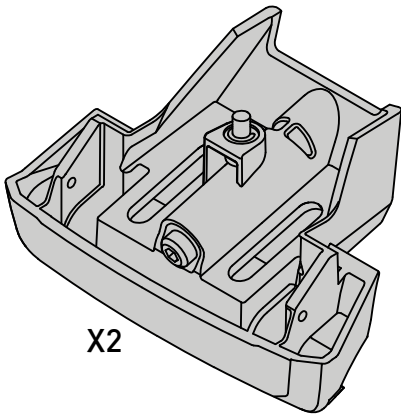
# K695

# Fitting Kit

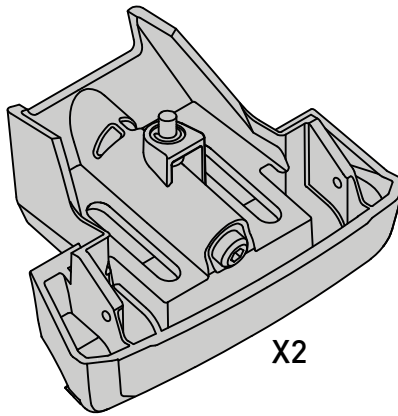


		<b>MAX kg (lb)</b>			
		<b>F</b> 	<b>T</b> 	<b>HD</b> 	<b>P</b> 
Audi A3, 5dr Sportback, 2004-12	AU, NZ, ZA, EU, US	75 kg (165 lb)			
Audi A6, 5dr Avant, 2011+	AU, NZ, ZA, EU, US	75 kg (165 lb)			
Audi Q3, 5dr SUV, 2012+	AU, NZ, ZA, EU	75 kg (165 lb)			
Audi Q3, 5dr SUV, 2014+	US	75 kg (165 lb)			

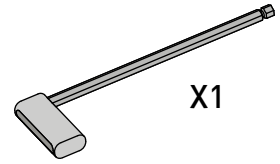
**CONTENTS • CONTENUTO • CONTENIDO • INHALT • CONTENUTI**



X2



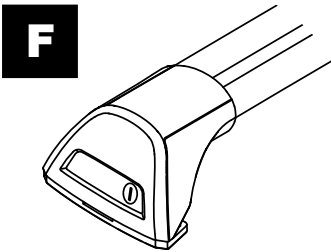
X2



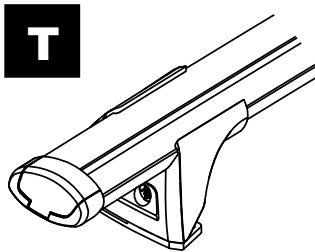
X1



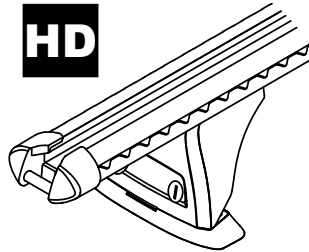
X8



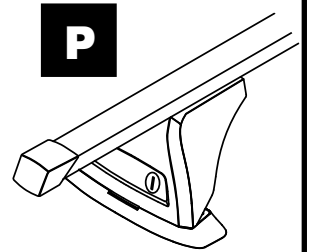
Flush Bar (F)



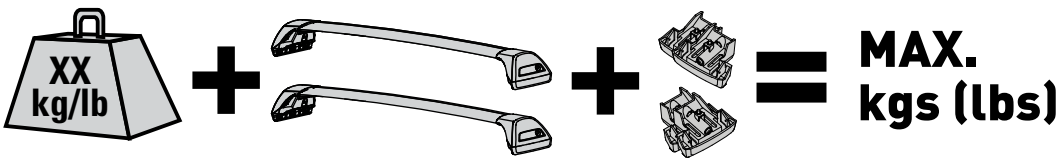
Through Bar (T)



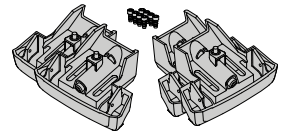
Heavy Duty Bar (HD)



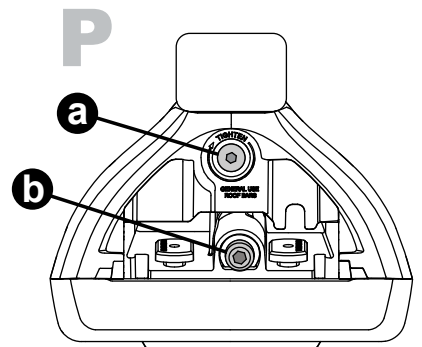
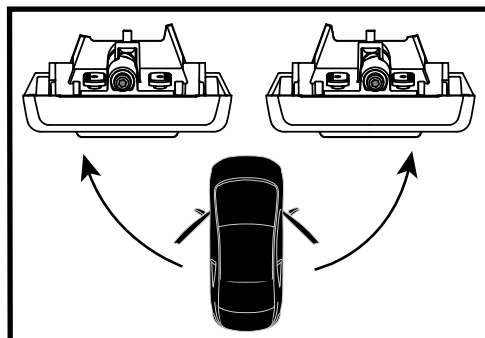
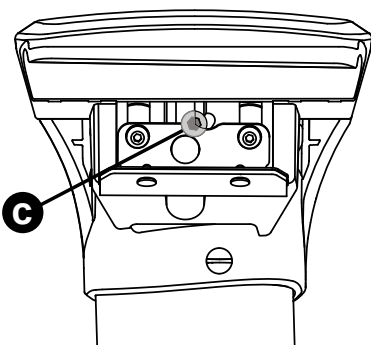
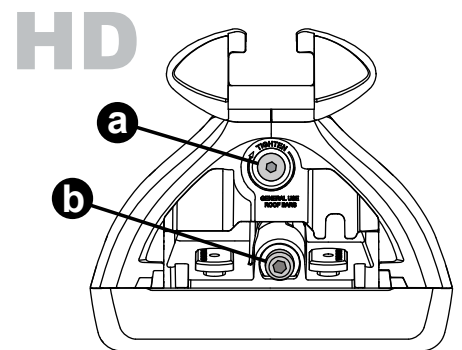
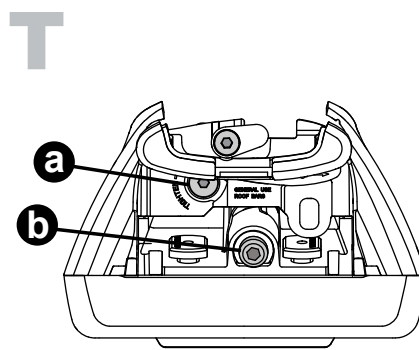
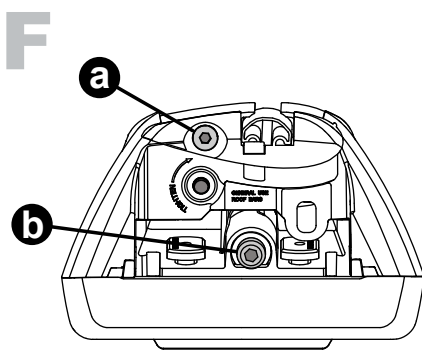
Square Bar/P-Bar (P)

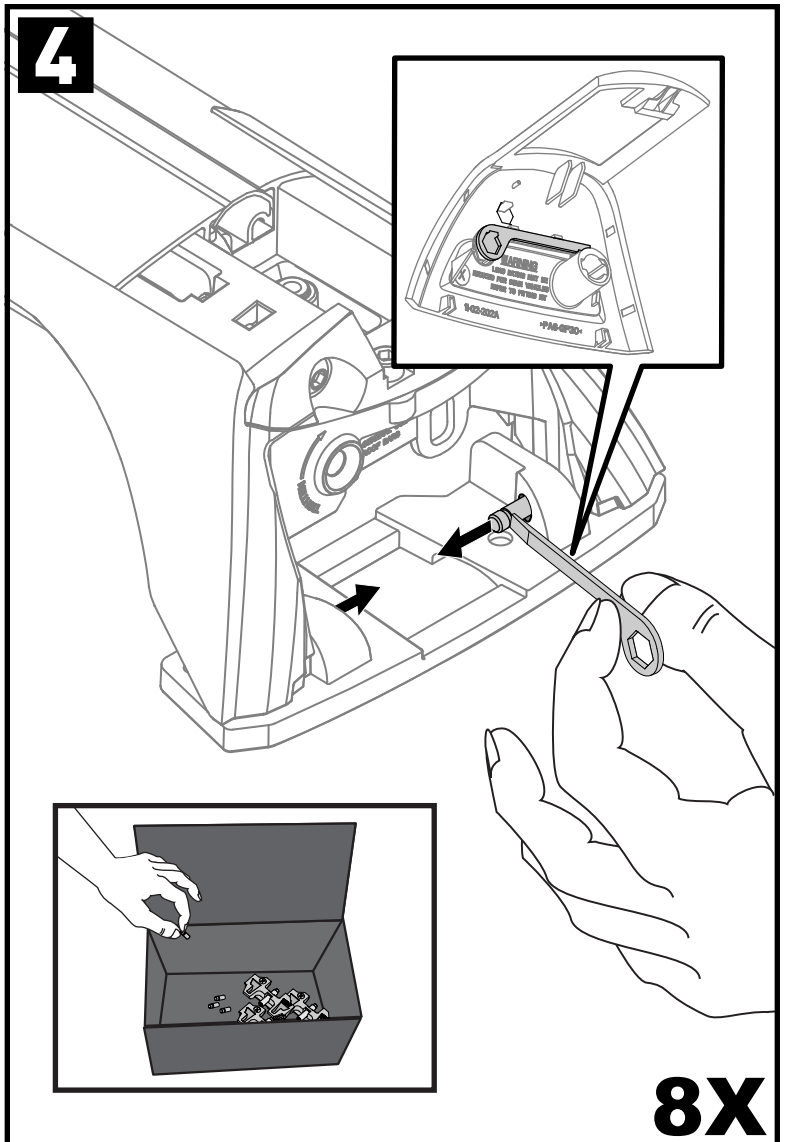
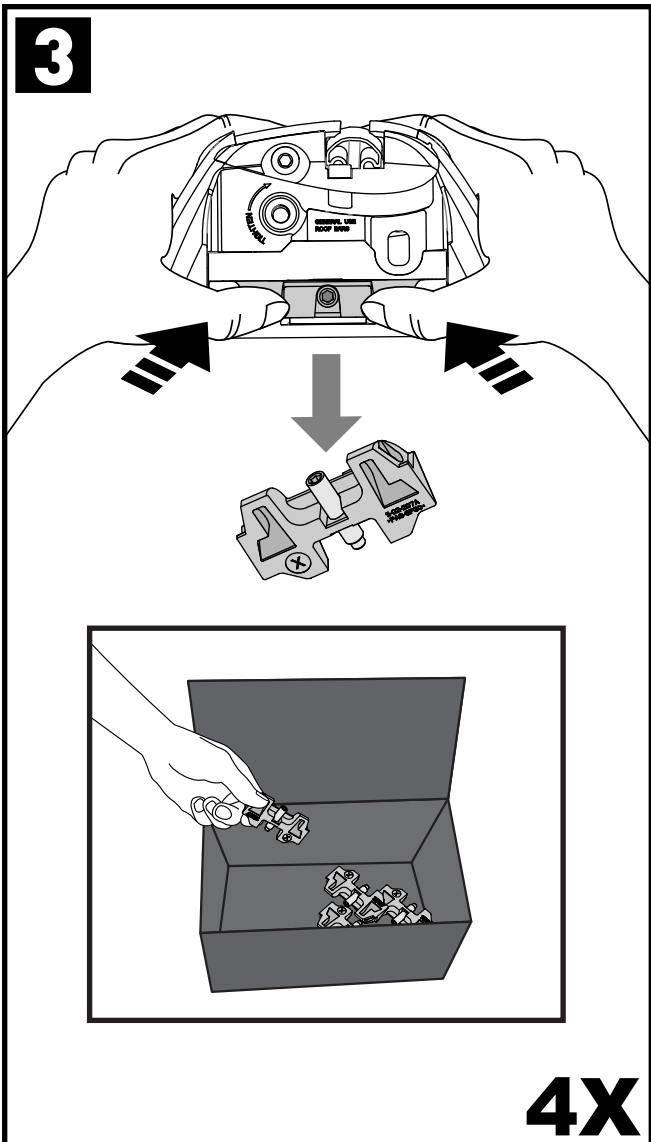
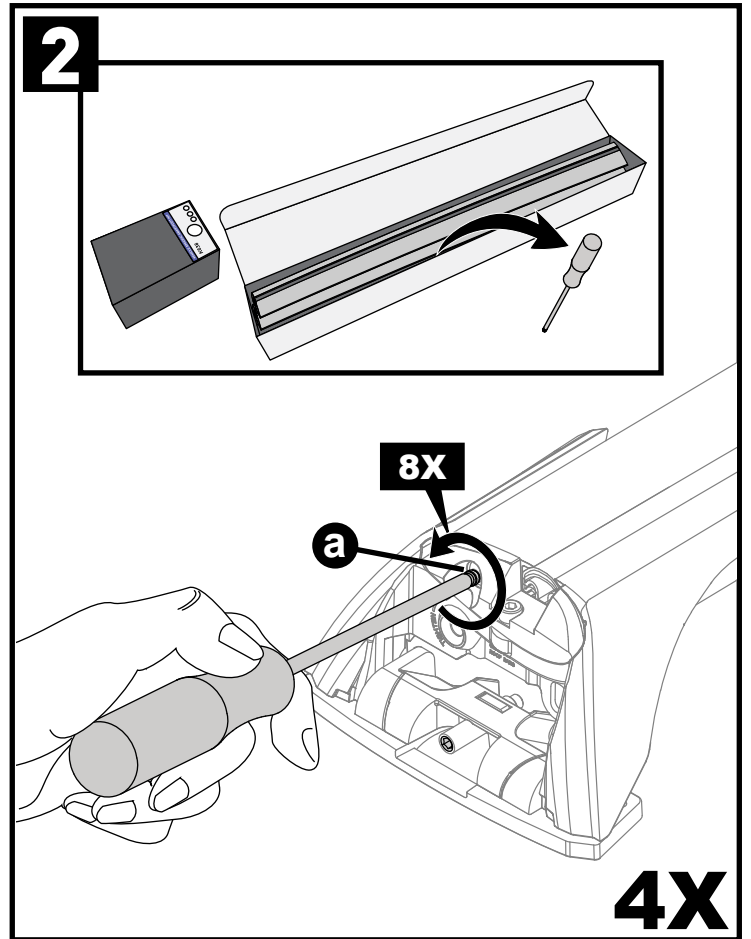
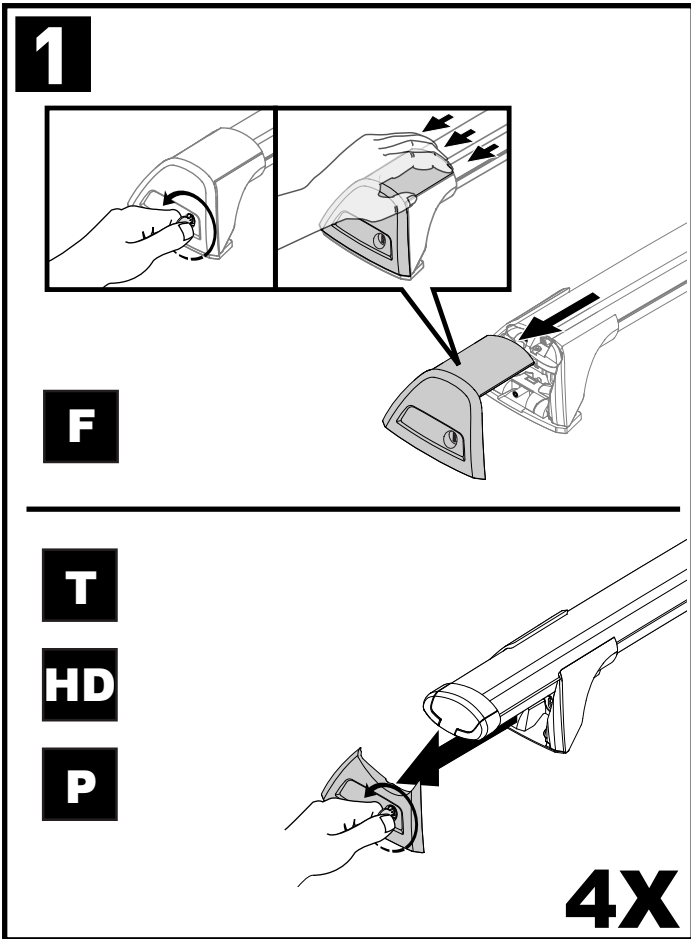


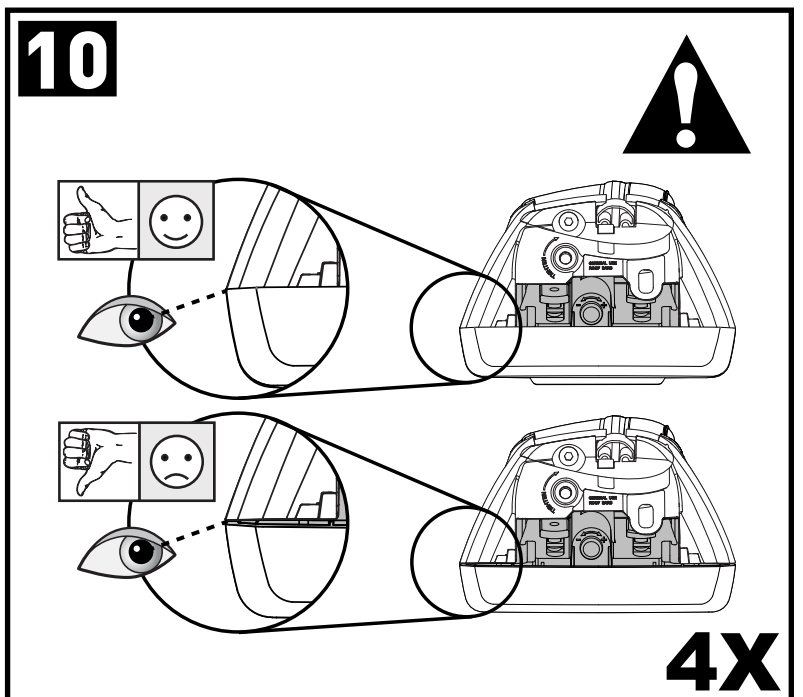
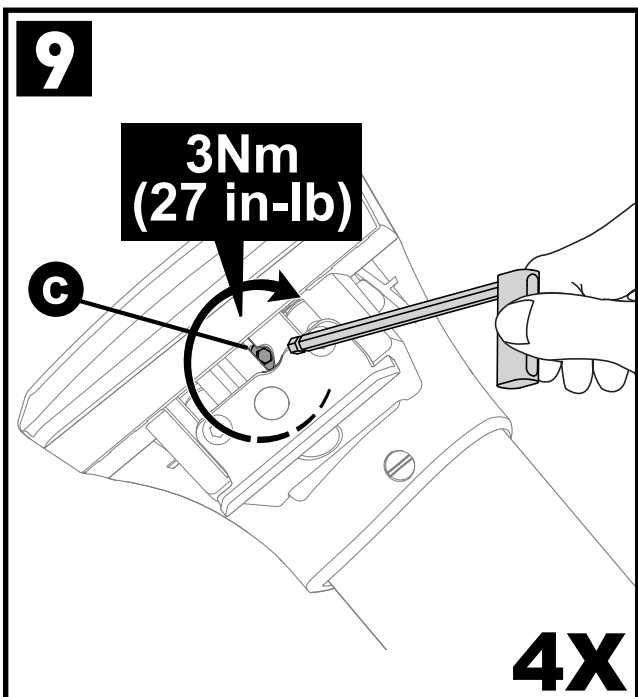
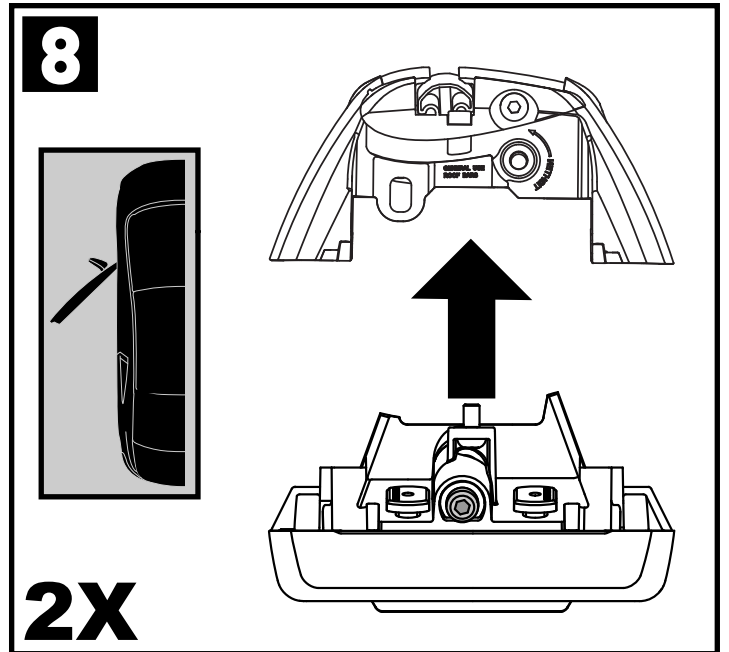
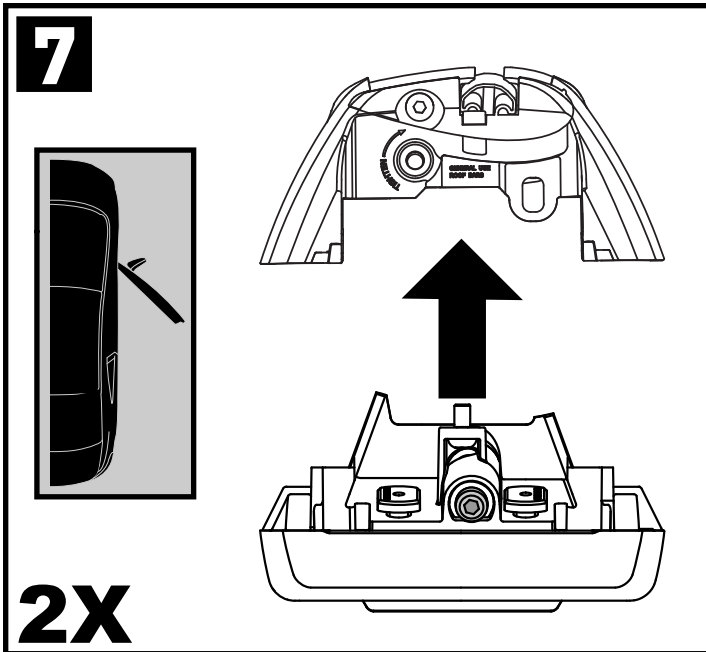
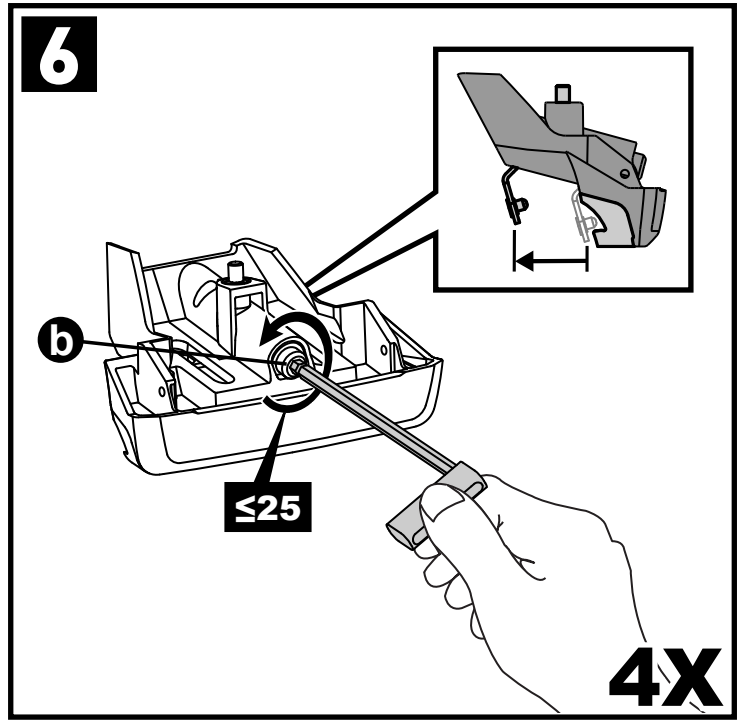
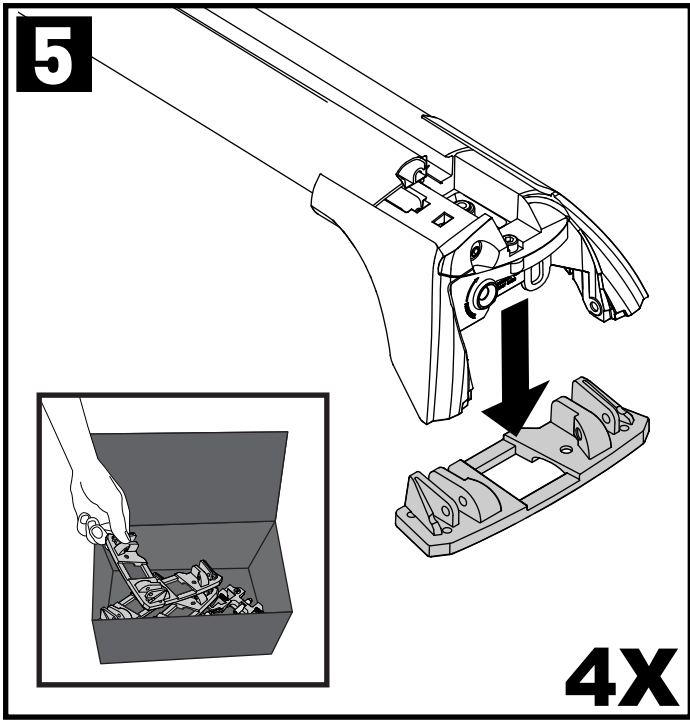
**K695**



**= 1.1 kg (2.5 lbs.)**

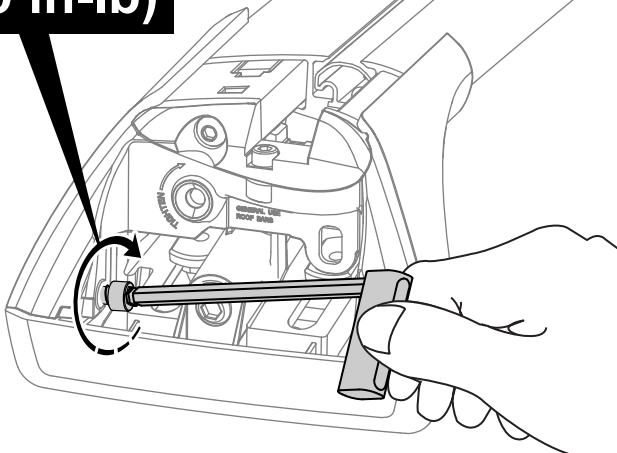






**11**

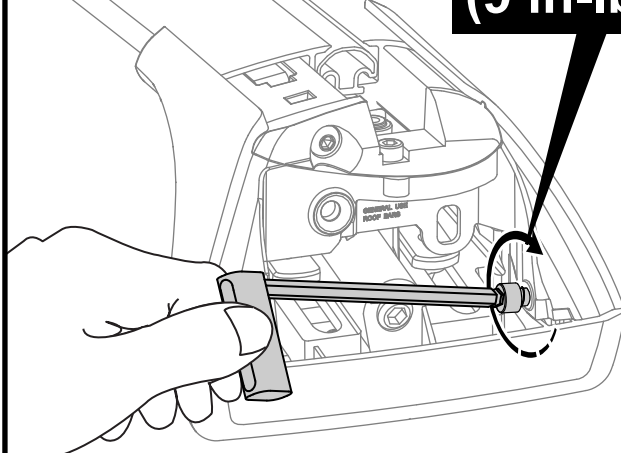
**1Nm  
(9 in-lb)**



**4X**

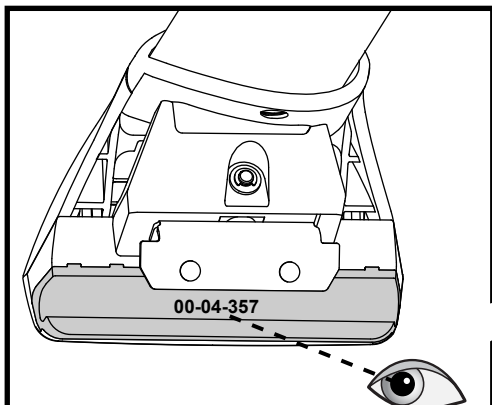
**12**

**1Nm  
(9 in-lb)**

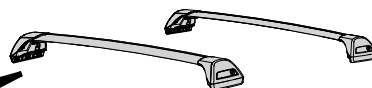
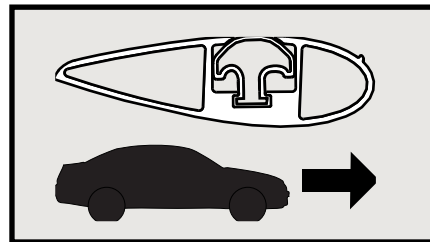


**4X**

**13**



<b>LF</b>	<b>LR</b>	= 00-04-357
<b>RF</b>	<b>RR</b>	= 00-04-358



00-04-357

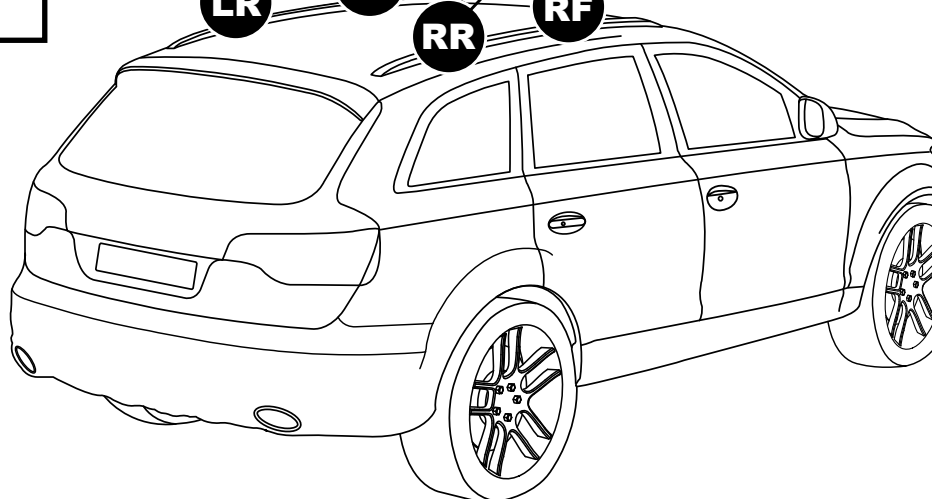
00-04-358

**LR**

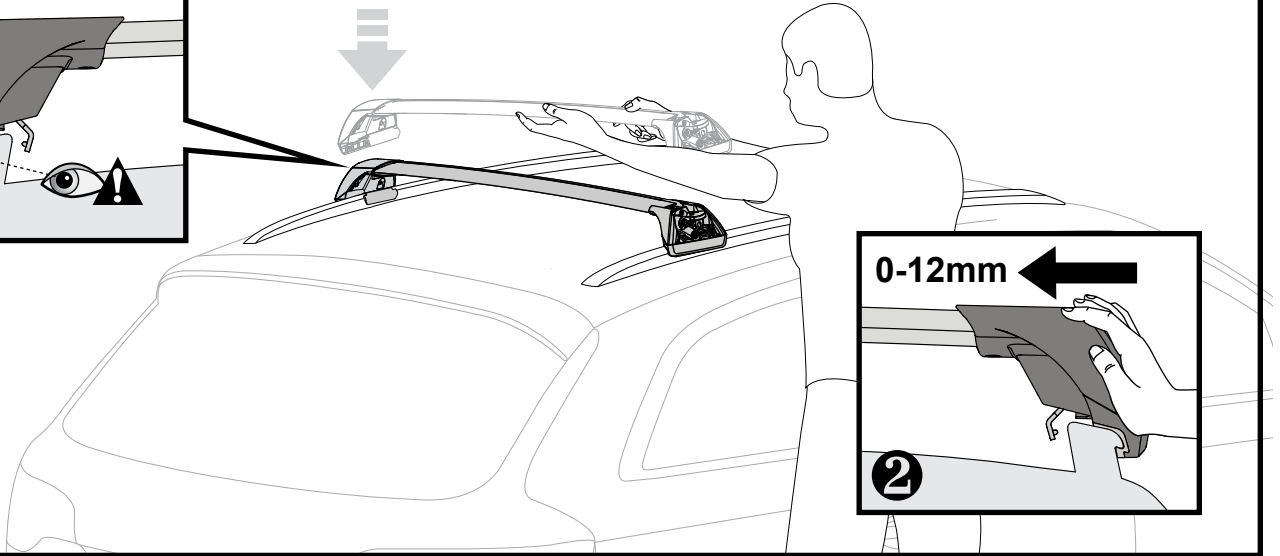
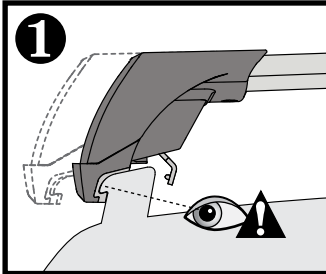
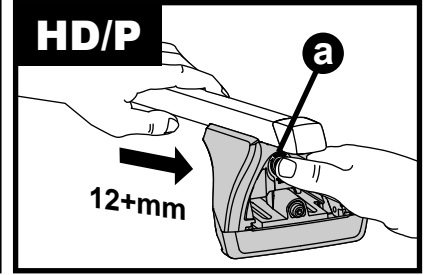
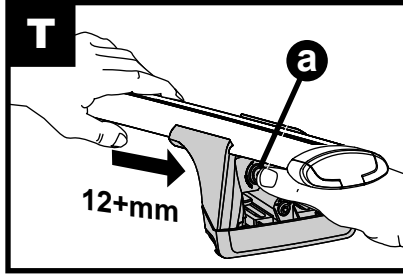
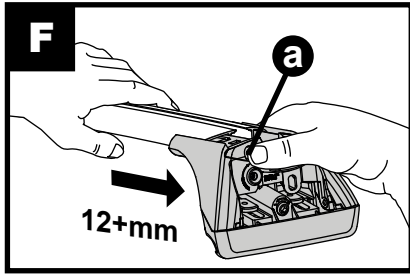
**LF**

**RR**

**RF**

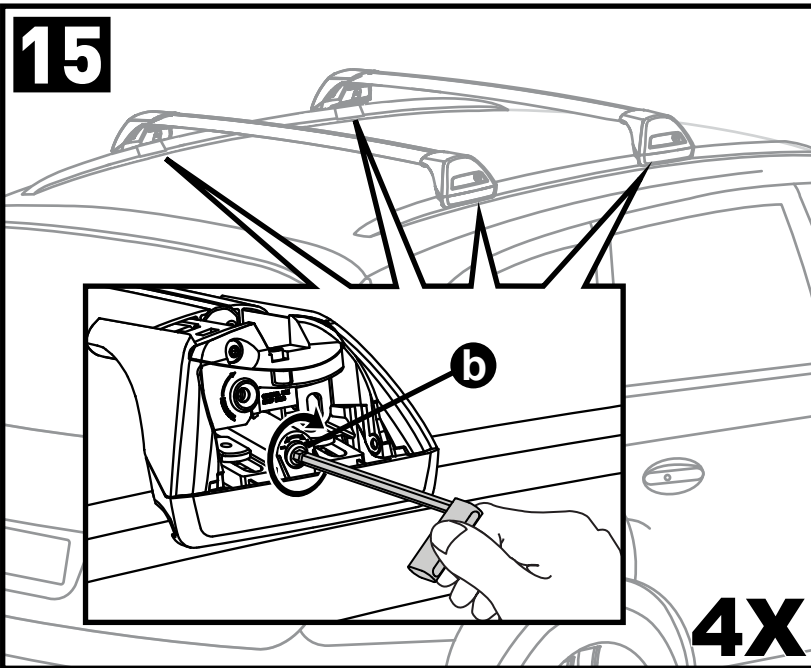


**14**

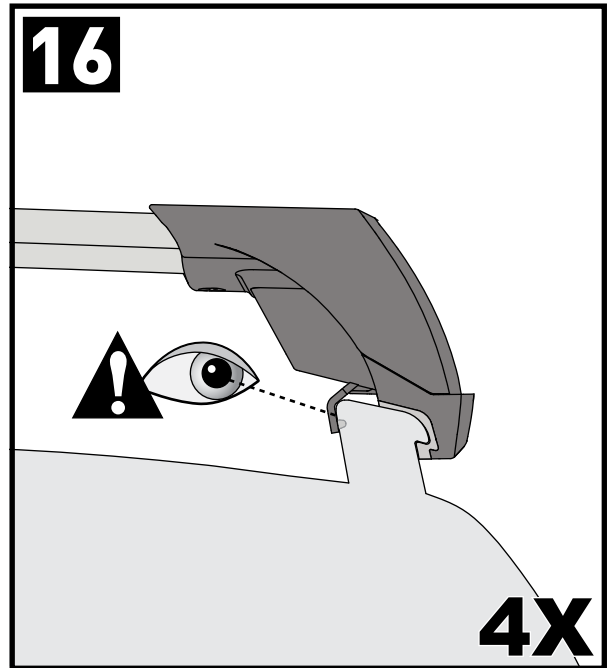


**2X**

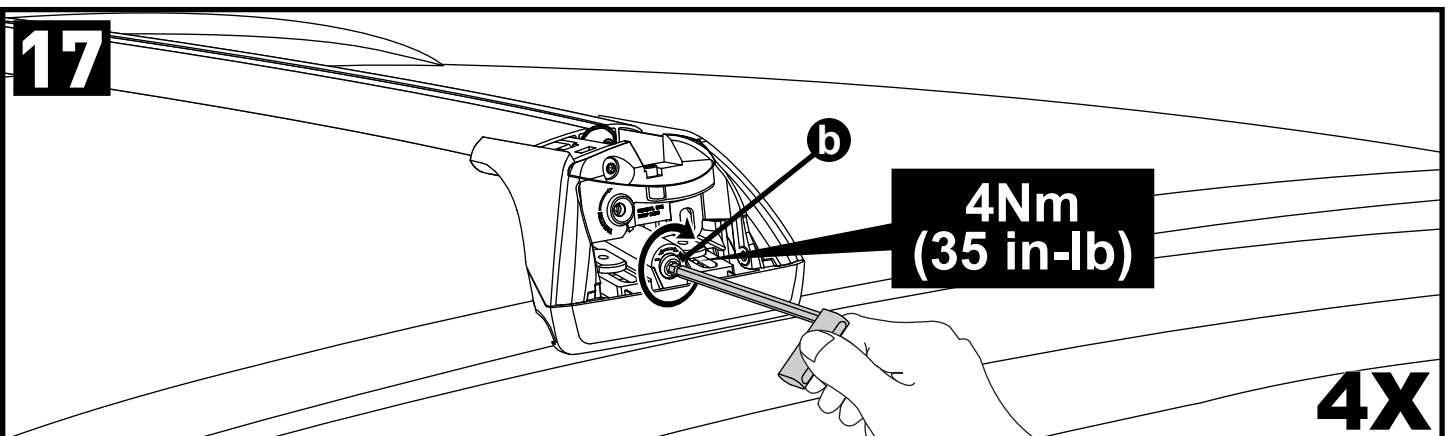
**15**



**16**



**17**

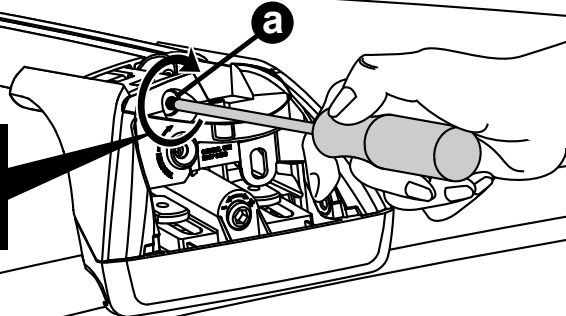




**18**



**3Nm  
(27 in-lb)**



**4X**

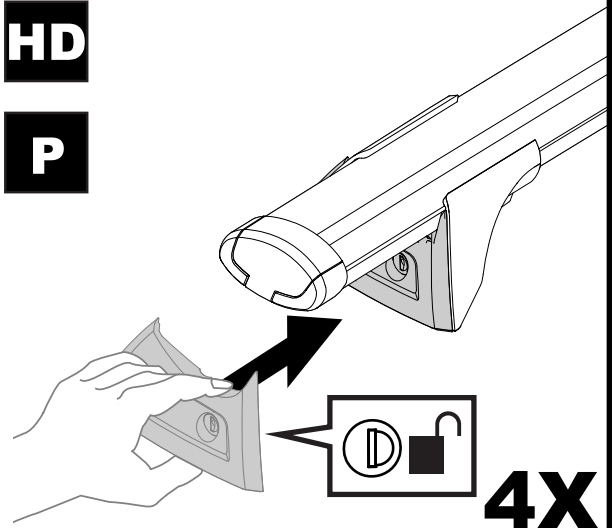
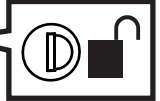
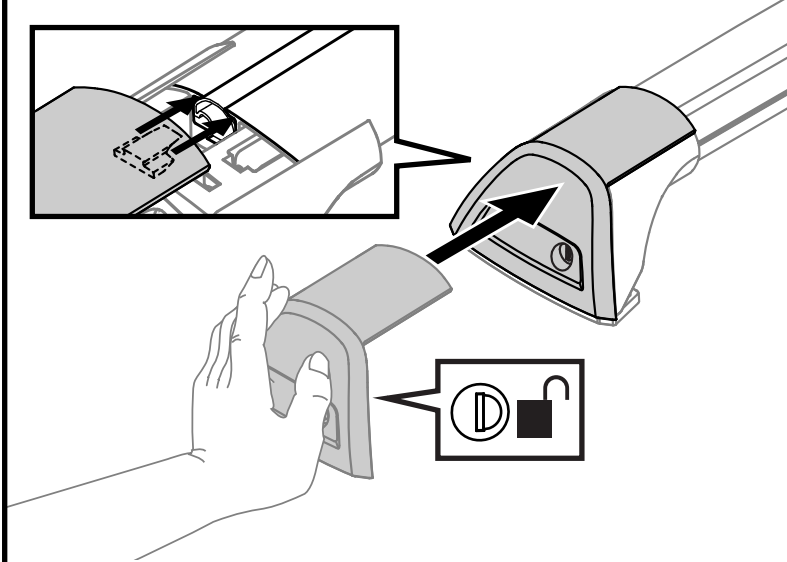
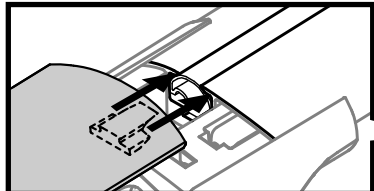
**19**

**F**

**T**

**HD**

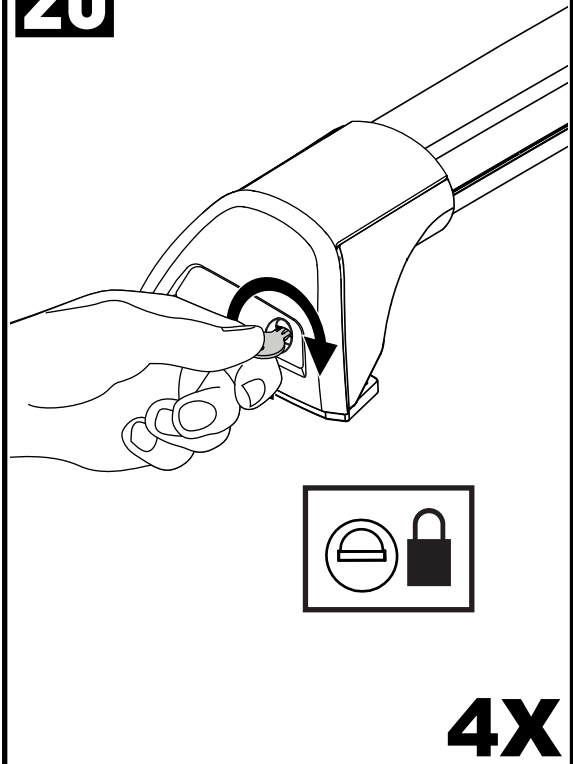
**P**



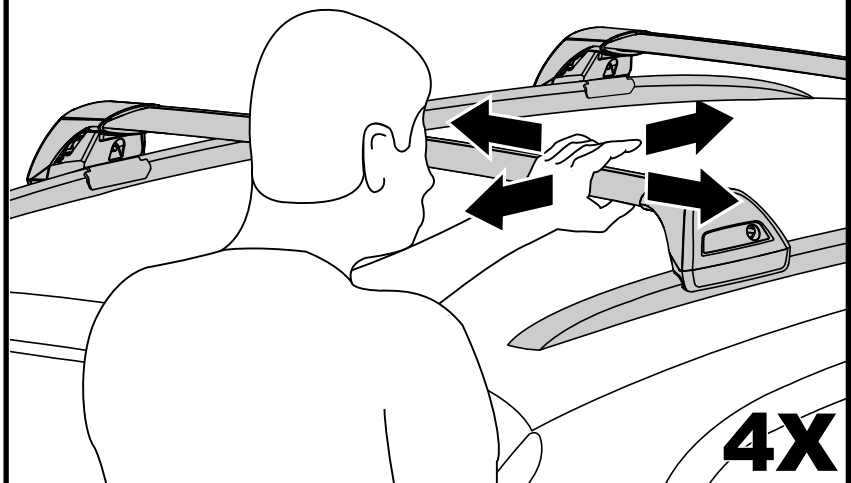
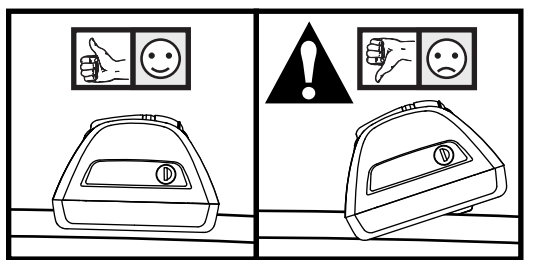
**4X**

**20**

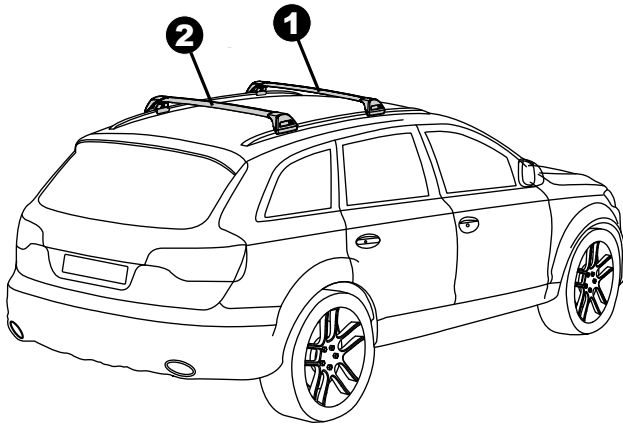
**21**



**4X**



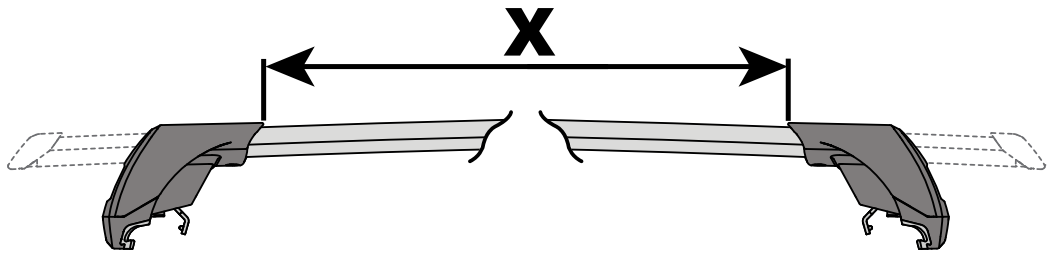
**4X**



<b>K695</b>	<b>X 1</b>	<b>X 2</b>
<b>A3</b>	925mm/36 3/8"	880mm/34 5/8"
<b>A6</b>	940mm/37"	877mm/34 1/2"
<b>Q3</b>	920mm/36 1/4"	895mm/35 1/4"

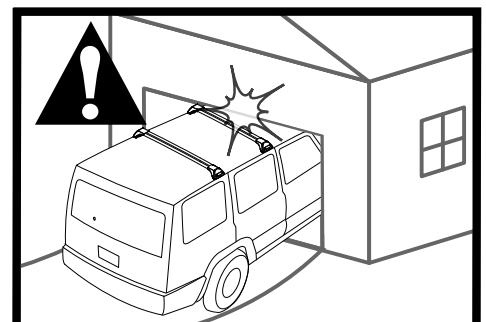
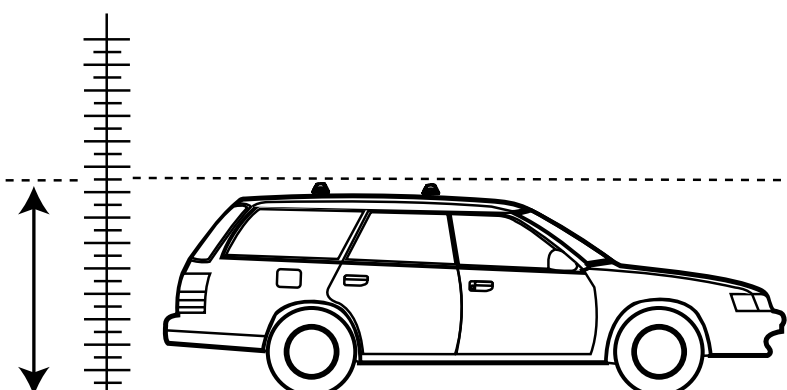
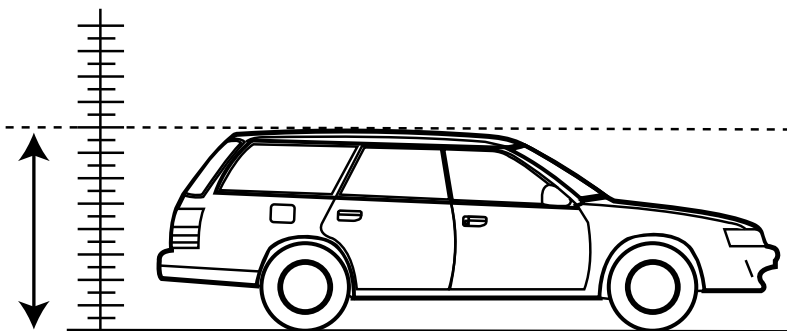
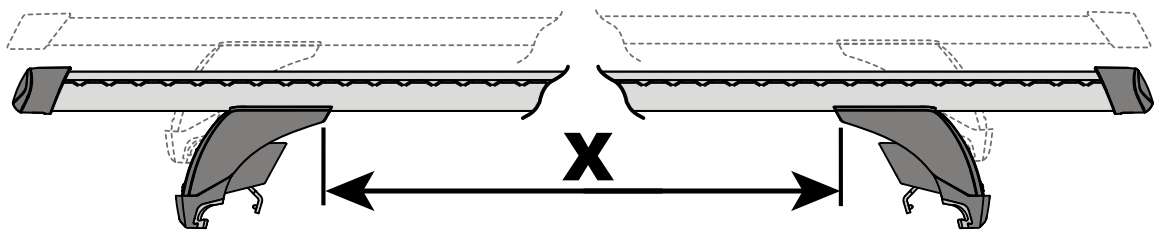
**F**

**T**



**HD**

**P**



**Record Height Here.**  
**Noter la hauteur ici.**  
**Escriba aquí la altura.**  
**Hier Größe eintragen.**  
**Annotate qui l'altezza.**