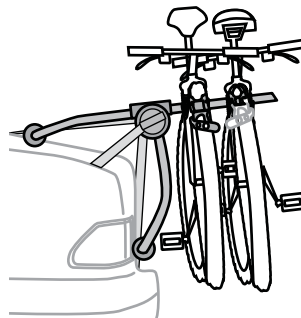
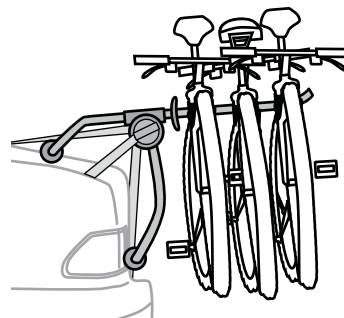


**SuperJoe 3**  
 Maximum load is 3 bikes  
 (90 lbs. (41kg) total)  
 ▲The use of Glass Hatch Hooks  
 with upper straps will limit the  
 load to 2 bikes only.



**SuperJoe 2**  
 Maximum load  
 is 2 bikes (60 lbs.  
 (27kg) total)



**LittleJoe 3**  
 Maximum load is 3 bikes  
 (90 lbs. (41kg) total)  
 ▲The use of Glass Hatch  
 Hooks with upper straps will  
 limit the load to 2 bikes only.

**BEFORE  
 DRIVING AWAY:  
 READ CAUTIONS  
 AND WARNINGS  
 AT END OF  
 INSTRUCTIONS.**

**! IMPORTANT WARNING**

IT IS CRITICAL THAT ALL YAKIMA RACKS AND ACCESSORIES BE PROPERLY AND SECURELY ATTACHED TO YOUR VEHICLE. IMPROPER ATTACHMENT COULD RESULT IN AN AUTOMOBILE ACCIDENT, AND COULD CAUSE SERIOUS BODILY INJURY OR DEATH TO YOU OR TO OTHERS. YOU ARE RESPONSIBLE FOR SECURING THE RACKS AND ACCESSORIES TO YOUR CAR, CHECKING THE ATTACHMENTS PRIOR TO USE, AND PERIODICALLY INSPECTING THE PRODUCTS FOR ADJUSTMENT, WEAR, AND DAMAGE. THEREFORE, YOU MUST READ AND UNDERSTAND ALL OF THE INSTRUCTIONS AND CAUTIONS SUPPLIED WITH YOUR YAKIMA PRODUCT PRIOR TO INSTALLATION OR USE. IF YOU DO NOT UNDERSTAND ALL OF THE INSTRUCTIONS AND CAUTIONS, OR IF YOU HAVE NO MECHANICAL EXPERIENCE AND ARE NOT THOROUGHLY FAMILIAR WITH THE INSTALLATION PROCEDURES, YOU SHOULD HAVE THE PRODUCT INSTALLED BY A PROFESSIONAL INSTALLER SUCH AS A QUALIFIED GARAGE OR AUTO BODY SHOP.

# FITTING YOUR CAR...



When you see this icon, find your vehicle in the Joe Fit Sheet for frame measurement, strap positions, and critical notes about your fit.

OR



**⚠ DANGER**

**DO NOT INSTALL THIS CARRIER ON A VEHICLE LISTED AS "NO FIT".**

IF YOUR CAR IS NOT LISTED in the Joe Fit Sheet or the Fit List, call 888-925-4621 in the USA and Canada, or see your dealer.

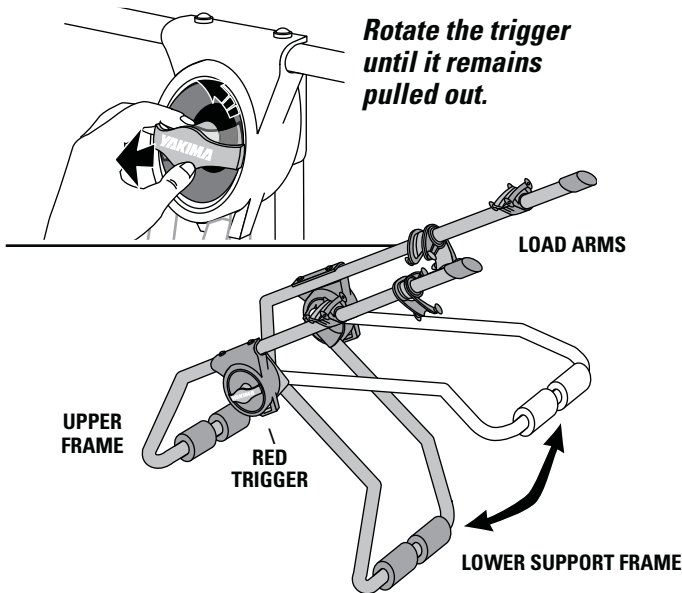
## **UNLISTED VEHICLES:**

IF YOUR CAR CANNOT BE FOUND (on the Joe Fit Sheet or the Fit List, or through the dealer or Yakima) it is "unlisted". Install the carrier as directed in these instructions where this icon appears.

**CAUTION:** Although your carrier is covered by a warranty (see final page), Yakima cannot warranty any installation onto any vehicle that is not listed in the Yakima Fit List or Joe Fit Sheet.

## **1 ROTATE THE UPPER FRAME.**

To move the frames, pull and turn both red triggers on the outer hubs.

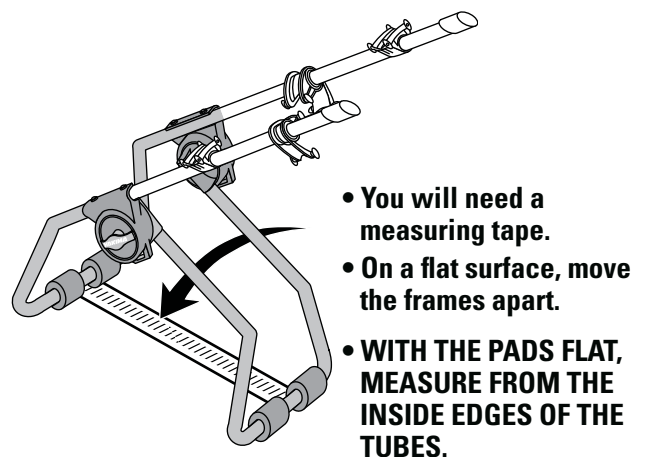


## **2 POSITION THE FRAMES.**



### **FIND YOUR MEASUREMENT IN THE FIT SHEET.**

See FITTING YOUR CAR (above).

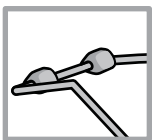


## **2a**



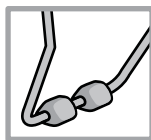
### **UNLISTED VEHICLES:**

**POSITION THE FRAMES.** On a flat surface, move the frames apart. Follow these guidelines to position your frames on your car.



#### **UPPER FRAME**

- With triggers out, adjust upper frame until it rests on the vehicle.
- The position is relative to the lower frame and will depend on vehicle shape.



#### **LOWER FRAME**

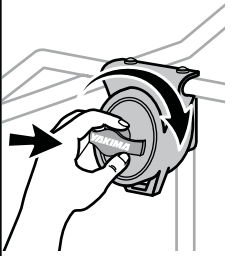
- A common location is a well-supported license plate depression, just above or below the numbers.
- Press the area firmly with your hand. If deformation occurs, choose another location.

#### **CAUTIONS:**

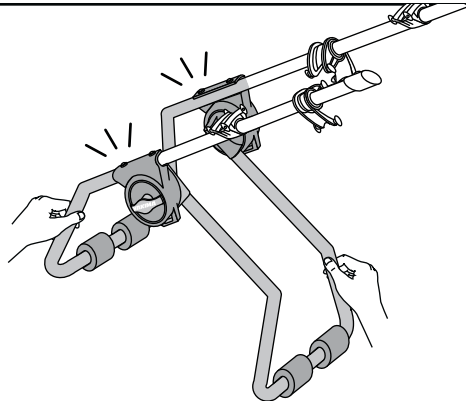
- Do not place the lower frame on glass, plastic, or thin metal.
- Some SUV's, vans, and wagons have a large section of poorly supported metal that will dent under weight.

**CAUTION:** Some vehicles have a spoiler. If any part of the carrier contacts the spoiler, do not use this product.

### 3 SECURE THE FRAME POSITION.

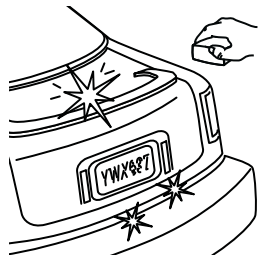


- Turn and push the red triggers until they are seated in the hub.
- Move the frames apart very slightly until the red triggers snap.
- If the frame feels loose, pull out the red triggers and try again.



**Do not allow the frames to move out of position. Check your measurement again if necessary.**

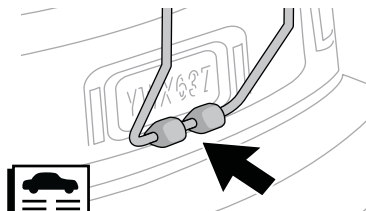
### 4 CARRIER IS READY TO PLACE ON CAR.



**Clean the contact points on the vehicle, and keep the pads free of debris.**

### 5 LOWER FRAME.

**Lower support frame location is extremely important to the load!**



**Read and follow the notes for your vehicle.**



#### **UNLISTED VEHICLES:**

- A common location is a well-supported license plate depression, just above or below the numbers.
- Press the area firmly with your hand. If deformation occurs, choose another location.

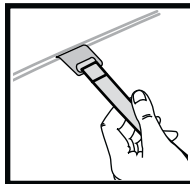
#### **CAUTIONS:**

- Do not place the lower frame on glass, plastic, or thin metal.
- Some SUV's, vans, and wagons have a large section of poorly supported metal that will dent under weight.

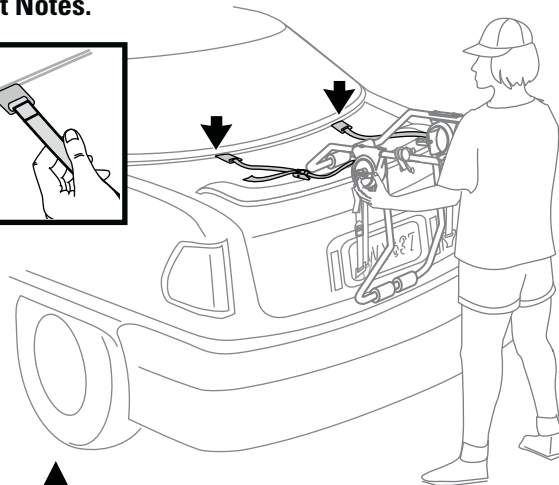
### 6 POSITION UPPER HOOKS.



**Place where directed by the Fit Sheet Notes.**



**Refer to notes for your vehicle to see if you should use the Glass Hatch Hooks in place of the top or bottom hooks.**



#### **UNLISTED VEHICLES: UPPER HOOKS**

- Insert the upper hooks into the leading edge of the hatch or trunk.

#### **CAUTIONS:**

- If hooks do not fit into the leading edge of the hatch or trunk, you can install the Glass Hatch Hooks.
- If the leading edge of the hatch or trunk has trim, you must use the Glass Hatch Hooks.
- Remove hooks before opening the hatch or trunk. Opening the hatch or trunk with hooks installed could cause damage to the vehicle.

**WARNING: DO NOT ATTACH THE UPPER HOOKS TO GLASS OR PLASTIC! IN ADDITION, THE USE OF GLASS HATCH HOOKS WILL LIMIT THE LOAD TO 2 BIKES ONLY.**

*(If upper hooks must attach to glass or plastic, follow Glass Hatch Hooks installation on next page.)*

**NO GLASS OR PLASTIC?** You won't need the Glass Hatch Hooks, continue to step 13.



**DO NOT ATTACH THE UPPER HOOKS TO GLASS OR PLASTIC!**

**No glass or plastic? You won't need the Glass Hatch Hooks, continue to STEP 13.**

**REPLACING UPPER STRAP HOOKS**

**7**  
**PULL UPPER STRAPS COMPLETELY OUT OF THE BUCKLES.**

**8**  
**Open the hatch door.**

Pass the strap ends through the hatch opening from inside the vehicle.

**Keep the pads away from the door's edge.**

**9**

**BEFORE CLOSING THE HATCH...**

*The pads must be free from contact between hatch door and vehicle's frame.*

**10**

**CLOSE THE HATCH.**  
*Pull firmly on the straps to seat the pads.*

**11**

**While supporting the carrier with your body, attach the adapter straps to your carrier's top straps.**

**12**

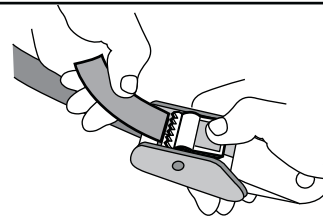
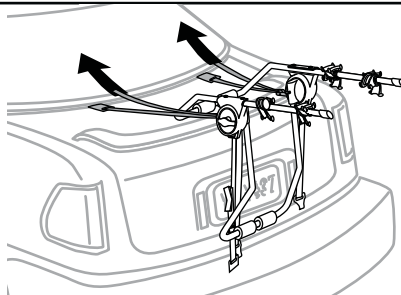
**THREAD NEW STRAP-END BACK INTO BUCKLE.**

*Adjust upper straps by pulling on the ends.*

**IF NOT ATTACHING UPPER HOOKS TO GLASS OR PLASTIC, CONTINUE HERE.**

**13 ADJUST UPPER STRAPS.**

Position the frame as determined in step 6. The upper straps should hold the carrier in place.

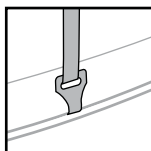
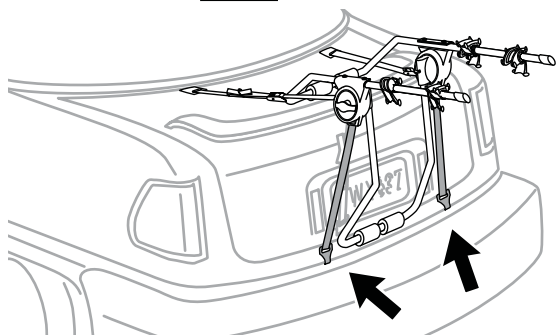


*Adjust upper straps by pulling on the ends. (Loosen by pressing the metal buckles.)*

**14 PLACE LOWER STRAP HOOKS.**



Place where directed by the Fit Sheet Notes.



**WARNING: DO NOT ATTACH THE LOWER HOOKS TO GLASS OR PLASTIC!**

*If lower hooks must attach to glass or plastic, follow Glass Hatch Hooks installation on next page.*



**UNLISTED VEHICLES:**

**LOWER HOOKS**

- The first choice is the bottom of the trunk/hatch.
- The second choice is under the bumper if there is a rigid, metal attachment point.
- The third choice is tie-down hooks underneath the vehicle or holes in the vehicle's frame.

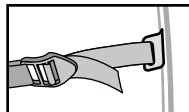
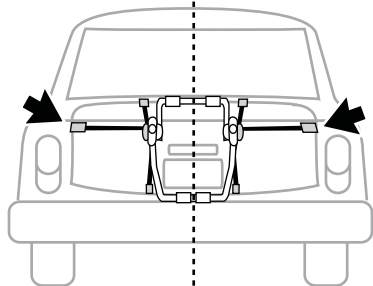
**CAUTIONS:**

- Keep straps away from hot vehicle exhaust!
- Keep straps from rubbing on sharp metal edges!
- Do not attach lower hooks to plastic bumpers.

**15 CENTER THE CARRIER ON THE CAR, position the side strap hooks.**



Position hooks at side mounting points directed by the Fit Sheet Notes.



*Note: If it is difficult to get the hook in, insert it at a wider section and then slide it into place.*



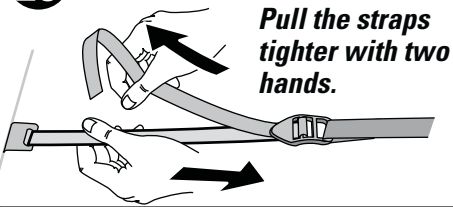
**UNLISTED VEHICLES:**

**SIDE HOOKS**

- Mount to the side of the trunk/hatch.
- Position the hooks so they will not slide up or down when tightened.

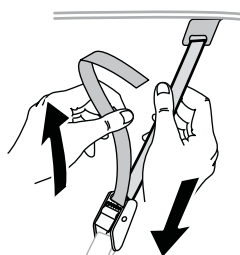
**16 TIGHTEN SIDE STRAPS.**

*Pull the straps tighter with two hands.*

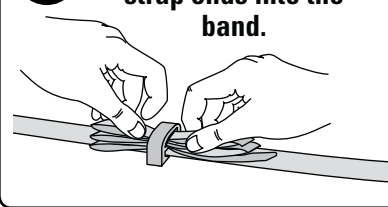


**17 TIGHTEN UPPER STRAPS.**

*Pull the straps tighter with two hands.*



**18 Bundle the extra strap ends into the band.**




**CONTINUE TO STEP 29**



# REPLACING LOWER STRAP HOOKS

**19** REMOVE THE CARRIER FROM THE CAR.

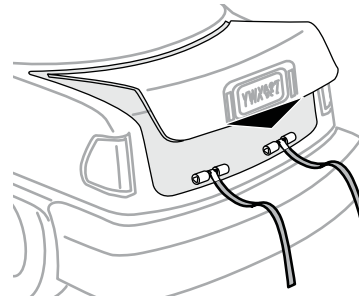


**PULL LOWER STRAPS COMPLETELY OUT OF THE HUB.**

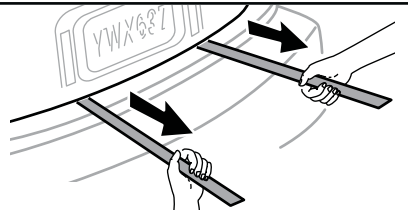
**20** OPEN THE TRUNK DOOR.



**21** Position the pads inside the trunk with the straps hanging free.

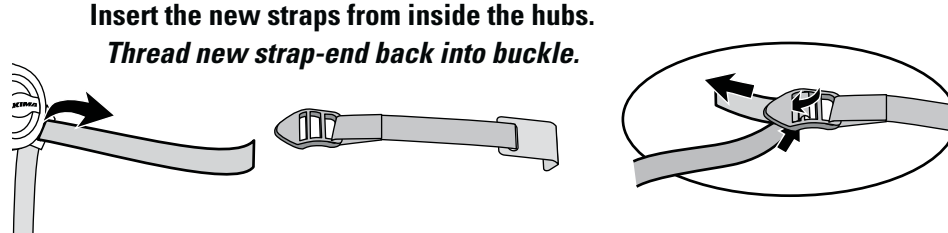


**22** BEFORE CLOSING THE TRUNK:  
*Be sure the pads are free from contact between trunk door and vehicle's frame.*



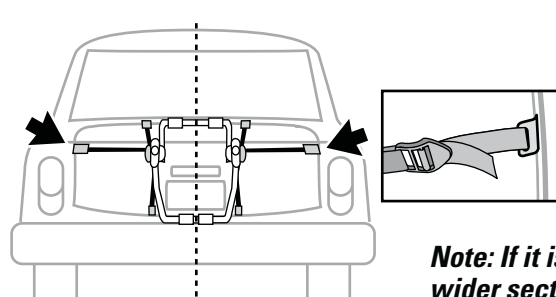
- CLOSE THE TRUNK.
- Pull firmly on the straps to seat the pads.

**23** Insert the new straps from inside the hubs.  
*Thread new strap-end back into buckle.*



**24**  
*Attach the top strap hooks to hold the carrier as you continue.*

**25** CENTER THE CARRIER ON THE CAR, position the side strap hooks.

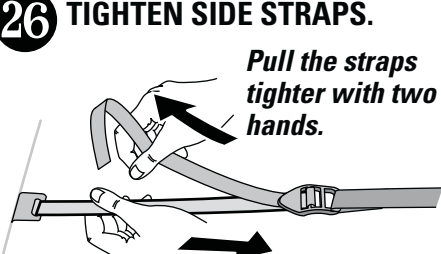


Position hooks at side mounting points directed by the Fit Sheet Notes.

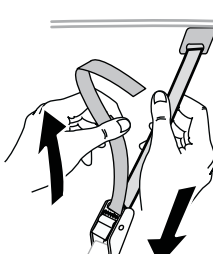
**UNLISTED VEHICLES:**  
**SIDE HOOKS**

- Mount to the side of the trunk/hatch.
- Position the hooks so they will not slide up or down when tightened.

**26** TIGHTEN SIDE STRAPS.  
*Pull the straps tighter with two hands.*



**27** TIGHTEN UPPER STRAPS.  
*Pull the straps tighter with two hands.*



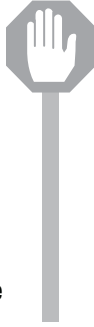
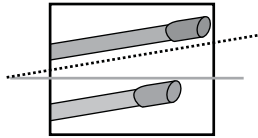
**28** Bundle the extra strap ends into the band.



**29** LOAD ARMS SHOULD BE JUST ABOVE HORIZONTAL.



**UNLISTED VEHICLES:  
LOAD ARMS**



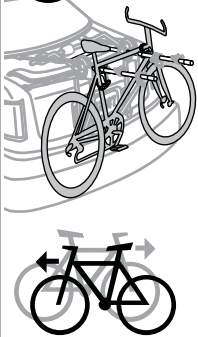
If you must adjust the frame to allow the arms to be just above horizontal, follow these guidelines:

- With triggers out, adjust load arms until just above horizontal.
- Note the new location of the pads and the frame.
- Refer back to step 2a for frame positioning.
- ⚠ *Do not allow any part of the carrier to contact the spoiler.*

**CAUTIONS:**

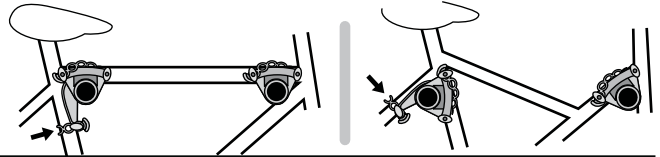
- Adjust load arms to just above horizontal.
- Make sure bikes have sufficient clearance from the ground.

**30** LOAD HEAVIEST BIKE FIRST



- Always load first bike with chain away from vehicle.
- Alternate bike directions to avoid interference.
- Arrange bike frame in the cradles for greatest stability.

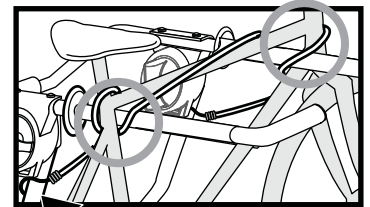
**SuperJoe:**



**LittleJoe:**



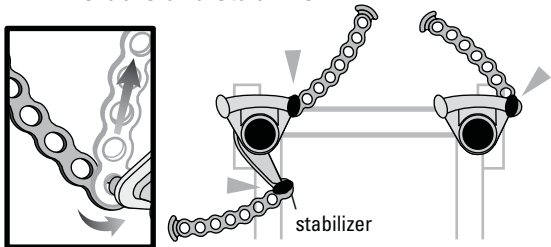
- You must tie the bike frames to the load arms using any type of durable strap.



• **THE BIKES MUST BE SECURED TO THE SUPPORT FRAME!**

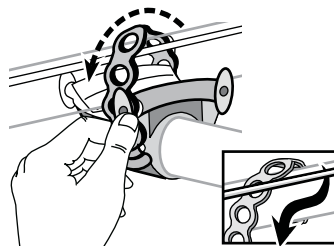
**31** CRADLE STRAPS (SUPER JOE ONLY)

Attach one rubber strap to each cradle and stabilizer.



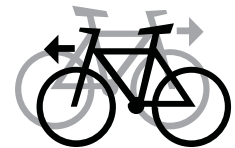
To slide cradles along the carrier arms, close cradle and stabilizer. Close cradles while loading bikes.

Tightly secure straps diagonally over bike frame and seat tube.



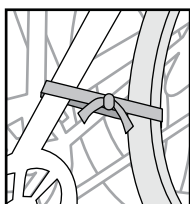
The straps can be routed under the cables.

**32** LOAD AND SECURE REMAINING BIKES.



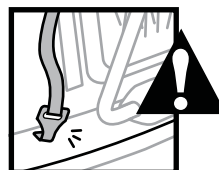
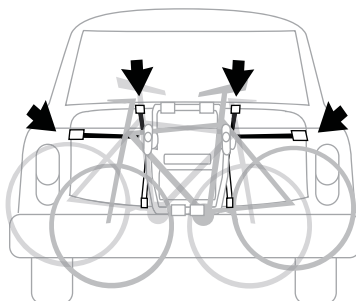
Alternate bike directions to avoid interference.

**33** Secure the front wheel on the bike closest to the car.



Use extra wheel or any type of durable strap.

**34** TIGHTEN UPPER AND SIDE STRAPS AGAIN AFTER BIKES ARE LOADED.



The weight of the bikes may cause the straps to slack or dislodge hooks.

**35**

**BEFORE DRIVING AWAY WITH YOUR BIKES:  
READ ALL WARNINGS ON THE PAGE AFTER NEXT.**



# READ THESE WARNINGS...

## LOAD LIMITS

- SuperJoe2: Maximum weight load is: 60 lbs. (27kg) (2 bike limit).
- SuperJoe3/LittleJoe: Maximum weight load is: 90 lbs. (41kg) (3 bike limit).
- Do not carry heavy bikes (over 35 lbs. (16kg)).
- Do not carry tandem or recumbent bicycles.
- Remove any bike attachments.
- Attaching Glass Hatch Hooks to upper straps will limit the load to 2 bikes.



## WARNING

- YOU MUST TIGHTEN STRAPS AFTER LOADING BIKES.
- CHECK STRAP TENSION PERIODICALLY DURING TRAVEL.
- STRAPS LOOSEN OVER TIME. CHECK BEFORE EACH USE, TIGHTEN IF NECESSARY.
- FAILURE TO CHECK AND TIGHTEN STRAPS CAN RESULT IN PROPERTY DAMAGE, PERSONAL INJURY, OR DEATH.



LittleJoe:  
*Bike frames must be securely tied to the carrier arms before transport.*

## THE DRIVE

- Never drive off-road with bicycles loaded.
- Do not let bicycle tires or straps hang near vehicle's hot exhaust.
- Do not install onto trailers, campers, or RVs.
- Never open trunk/hatch with carrier installed. Opening the hatch or trunk with carrier installed could cause damage to the vehicle.
- Replace any of the straps that appear worn or frayed (contact your dealer).

## READ THE INSTALLATION CAUTIONS THAT APPLY TO YOUR CAR...

### Rear Window Wiper

- Wiper may not be usable while carrier is installed. Do not allow wiper to contact any part of this carrier, at any time.

### Vehicles with a Spoiler

- If any part of the carrier contacts the spoiler, do not use this product.

### Spoiler Gap

- SUV's, vans, and wagons with a gap between the rear spoiler and rear window or hatch must route upper straps under the spoiler when possible. Do not allow straps to contact spoiler.

### Glass/Plastic Hatches

- If upper or lower hooks must attach to glass or plastic, follow instructions to use Glass Hatch Hooks (included).

### Convertibles

- Do not allow the upper frame of the carrier to rest on car convertible top.
- Do not raise or lower top while carrier is installed.

### Tight Seams

- On some vehicles the trunk/hatch seams may be too tight to easily insert hooks. Slide hooks from outside edge of trunk/hatch to appropriate location. If still to tight, open trunk/hatch, insert hooks, and close very carefully to avoid damage.
- Make sure trunk/hatch is securely closed before continuing installation.

### Soft Attachment Points

- Excessive tightening of the straps may cause damage to softer body materials.



## WARNING

*Although your carrier is covered by a warranty (see below), Yakima cannot warranty any installation onto any vehicle that is not listed in the Yakima Fit List or Joe Fit Sheet.*

## MAINTENANCE

- No lubrication is required.
- Do not immerse in water.
- Remove the carrier before entering an automatic car wash.

## TECHNICAL ASSISTANCE OR REPLACEMENT PARTS:

Contact your dealer or call  
(888) 925-4621  
Monday through Friday  
7:00 am to 5:00 pm PST



*This product is covered by YAKIMA's "Love It Till You Leave It" Limited Lifetime Warranty  
To obtain a copy of this warranty, go online to [www.yakima.com](http://www.yakima.com)  
or email us at [yakwarranty@yakima.com](mailto:yakwarranty@yakima.com) or call (888) 925-4621*

**KEEP THESE INSTRUCTIONS!**